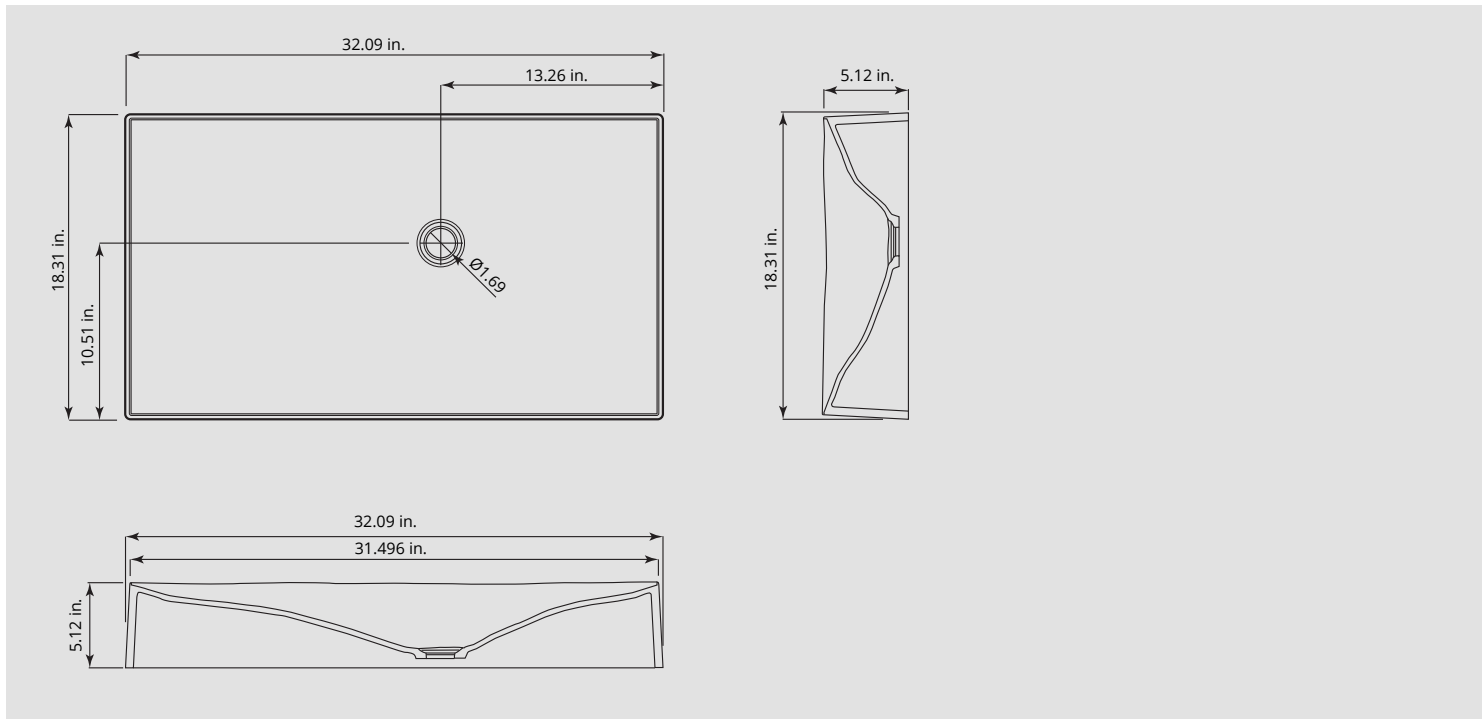


Karran®



Mirage

Technical Data Sheet



Installation notes

- It is recommended that the installation of this product be done by a professional plumber.
- Before installation, remove your new washbasin and carefully inspect it for damage. Return the washbasin to its packaging until you are ready to install it.
- This washbasin does not have an overflow and may require a specific type of drain. The nut on the drain pipe will secure the washbasin to the drain hole (Ø1.7in) in the countertop
- Product rests on countertop. Consider height when designing installation. The countertop must be flat. We recommend the use of a bead of clear silicone to seal in-between the underside edge of the washbasin and countertop.
- Choose a faucet that will provide adequate clearance. We recommend the use of a Karran faucet.

Care Instructions

- To keep your washbasin looking new, please follow these simple care instructions:
- Routine cleaning of your quartz washbasin will reduce the need for heavy cleaning and polishing.
- Never use strong/abrasive cleaners. Clean your quartz washbasin with water and a soft, clean cloth. Do not use abrasive detergents or cleaning pads, as they can damage the surface of the washbasin.
- For long term durability we recommend the use of the Karran Luster Pro Oil. Luster Pro oil cleans, protects, and shines. It is available at all popular online retailers.



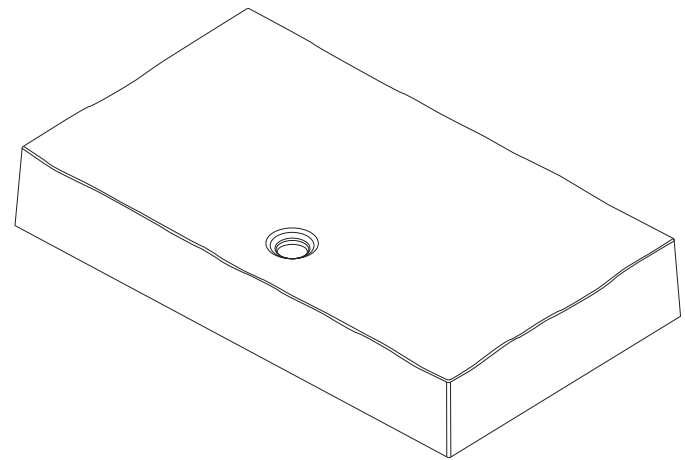
Mirage Technical Data Sheet

Features

- Made from quartz composite
- Anti-bacterial protection
- Above the counter installation
- 32.09 x 18.30 x 5.11 inches

Technical Information

- Bathroom fixture
- Basin area: 32.09 x 18.31 inches
- Water depth: 3.82 inches
- Drain hole: Ø 1.7 inches



Colors/ Finishes

- Black, White, and Grey
- Satin gloss

Model	Description	Color	Finish
SQS300WH	Washbasin without overflow	White	Satin gloss
SQS300BL	Washbasin without overflow	Black	Satin gloss
SQS300GR	Washbasin without overflow	Grey	Satin gloss

