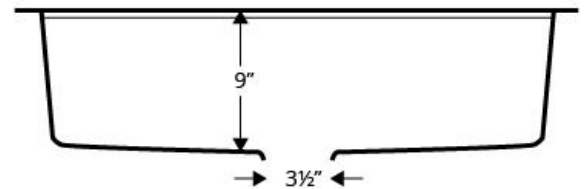
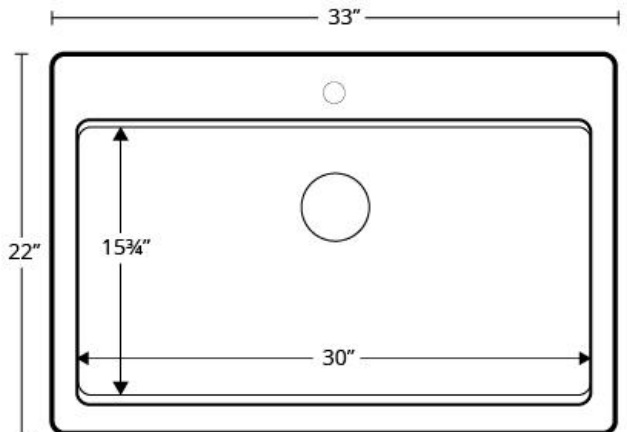


Karran quartz sinks are manufactured from durable quartz composite material that makes them incredibly tough and resilient to even the toughest daily kitchen tasks. They contain 80% natural quartz crystals and 20% high performance acrylic resins. These materials provide high scratch, stain, chip and heat resistance. This easy-to-install top mount design is 33" x 22" in size and is available in a selection of 6 elegant color choices. It comes complete with an assortment of accessories

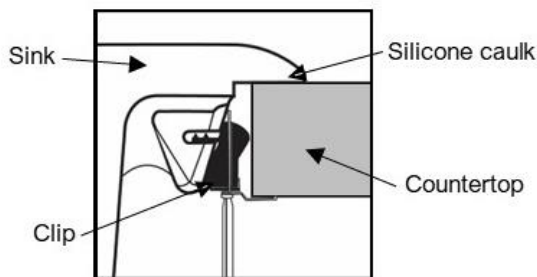
Series:	Quartz QT Series
Material:	80% quartz / 20% acrylic resin
Installation Type:	Top mount / drop-in
Configuration:	Large single bowl workstation
Overall dimensions:	33" x 22"
Bowl dimensions:	30" x 15-3/4" x 9"
Drain size:	3-1/2"
Min. cabinet size:	33"
Template included:	Yes
Clips included:	Yes
Finishes / Colors:	Bisque, Concrete, White, Black, Grey, Brown



Sinks are listed with IAPMO and meet the requirements of the Uniform Plumbing Code, International Plumbing Code and the National Plumbing Code of Canada.



INSTALLATION METHOD



PROJECT INFORMATION

PROJECT: _____
 CONTACT: _____
 DATE: _____
 NOTES: _____

APPROVAL:

INCLUDED ACCESSORIES

MODELS	COLOR	STRAINER BASKET	CUTTING BOARD	COLANDER	DRYING RACK	GRID
•QTWS-875-WH	White	YES	YES	YES	YES	YES
•QTWS-875-BI	Bisque	YES	YES	YES	YES	YES
•QTWS-875-BL	Black	YES	YES	YES	YES	YES
•QTWS-875-BR	Brown	YES	YES	YES	YES	YES
•QTWS-875-CN	Concrete	YES	YES	YES	YES	YES
•QTWS-875-GR	Grey	YES	YES	YES	YES	YES

We reserve the right to update product specifications without notice. Please visit karran.com for the most current specification sheets. All dimensions are accurate to 1/4". REV 5-2022