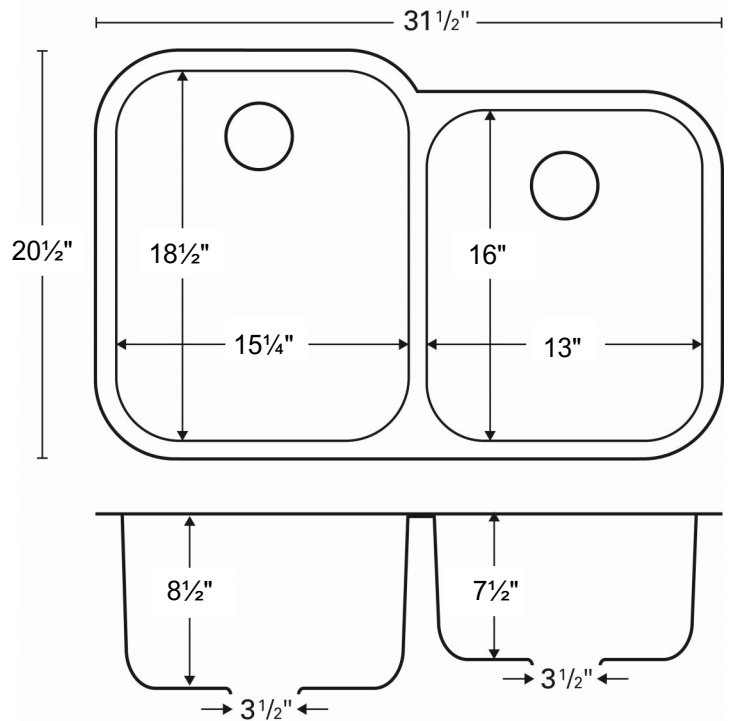


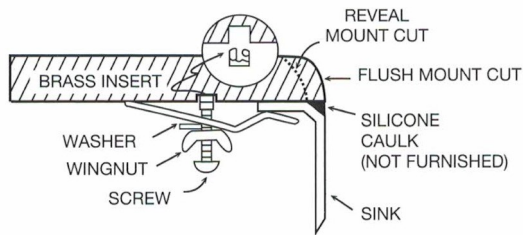
This Karran Profile Series stainless steel kitchen sinks is manufactured from durable 18 gauge stainless steel that makes it tough and resilient to even the toughest daily tasks. Each sink is finished with an elegant soft satin brushed finish that resists and disguises surface scratches. Designed to be undermounted in all types of solid surface, granite and quartz countertops. This sink comes complete with basket strainers and bottom grids.



<b>Series:</b>	Profile Series
<b>Material:</b>	18 Gauge, Type 304 stainless steel
<b>Installation Type:</b>	Undermount
<b>Configuration / Style:</b>	Large/small bowl
<b>Finish:</b>	Soft satin brushed finish
<b>Overall dimensions:</b>	31-1/2" x 20-1/2"
<b>Left bowl dimensions:</b>	15-1/4" x 18-1/2" x 8-1/2"
<b>Right bowl dimensions:</b>	13" x 16" x 7-1/2"
<b>Drain size:</b>	3-1/2"
<b>Min. cabinet size:</b>	36"
<b>Template included:</b>	Yes
<b>Clips included:</b>	Yes
<b>Accessories included:</b>	Bottom grids and basket strainers



**INSTALLATION PROFILE**



**PROJECT INFORMATION**

PROJECT: \_\_\_\_\_

CONTACT: \_\_\_\_\_

DATE: \_\_\_\_\_

NOTES: \_\_\_\_\_

\_\_\_\_\_

\_\_\_\_\_

**APPROVAL:**

**OPTIONAL ACCESSORIES**

- Stainless steel basket strainers [L-2]
- Stainless steel disposal flanges [L-2DF]

We reserve the right to update product specifications without notice. Please visit [karran.com](http://karran.com) for the most current specification sheets. All dimensions are accurate to 1/4". REV 05-2022