

# Karran<sup>®</sup>

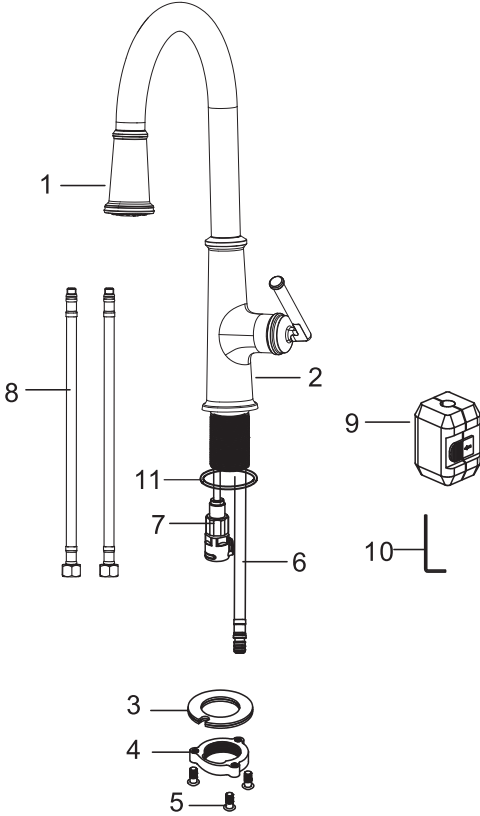
---

## INSTALLATION GUIDE

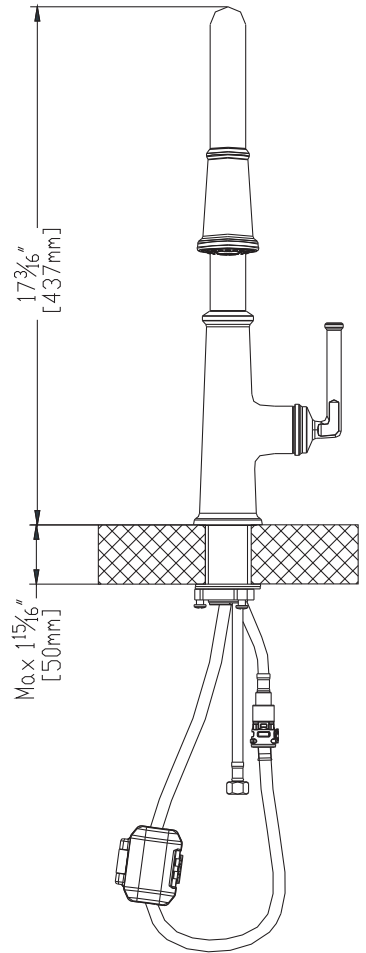
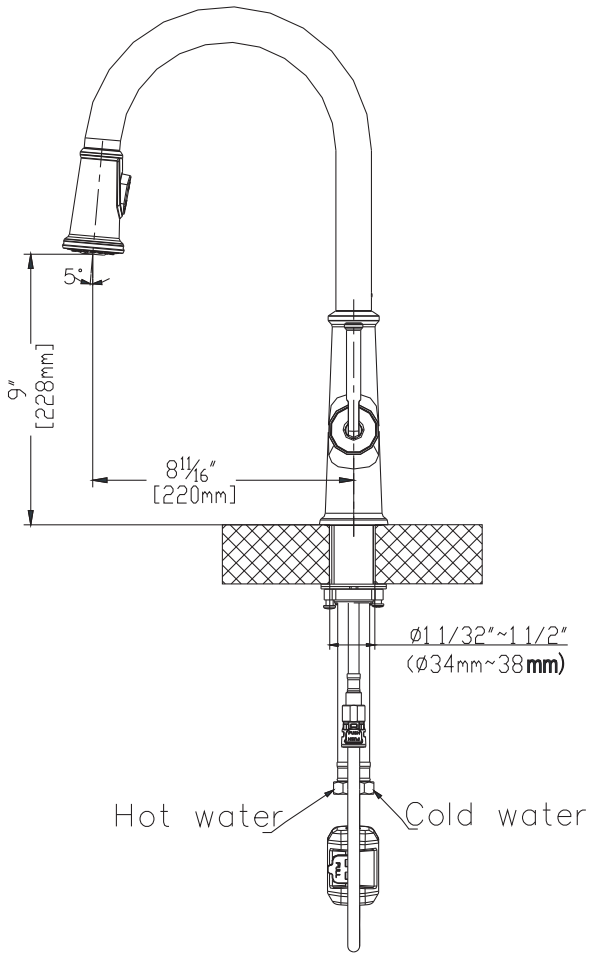


## Elwood

**Models:** KKF330SS KKF330MB  
KKF330GG

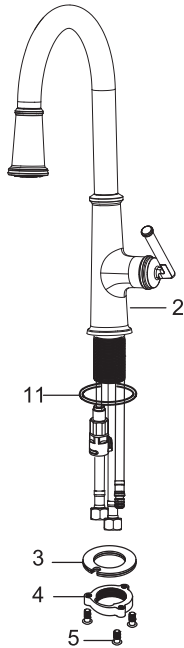


1. Spray Head
2. Faucet Body
3. Rubber&Metal Washer
4. Mounting Nut
5. Mounting Screws
6. Spray Hose
7. Quick Connector
8. Hot&Cold Water Lines
9. Weight
10. Hex Wrench
11. O-ring



# INSTALLATION GUIDE

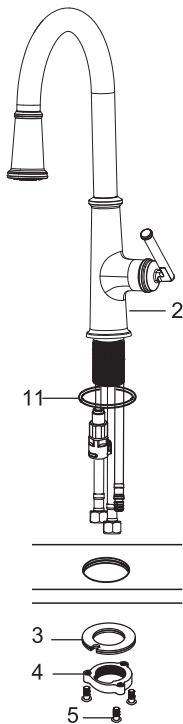
## STEP 1



1. Remove the mounting nut (#4), rubber&metal washer (#3) from the faucet body (#2).



## STEP 2



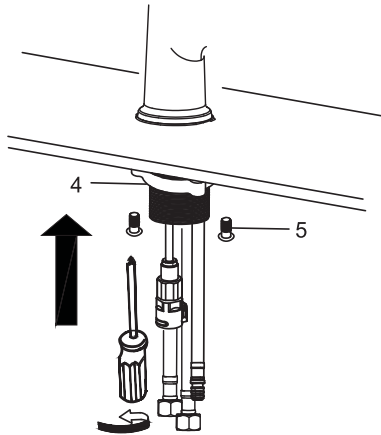
2. Insert the main body into the hole with the o-ring (#11),refix the rubber&metal washer (#3) and mounting nut (#4) from the faucet bottom.



# INSTALLATION GUIDE

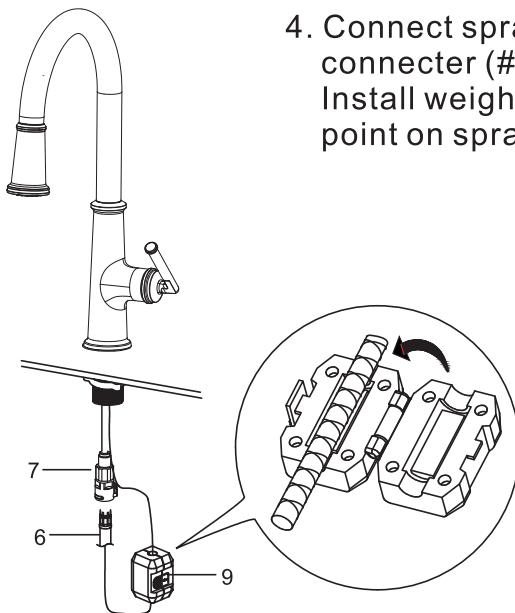
## STEP 3

3. After adjusting the direction of the main body, tighten the mounting nut (#4) with hands and tighten the mounting screws (#5) with a Philips screwdriver.



## STEP 4

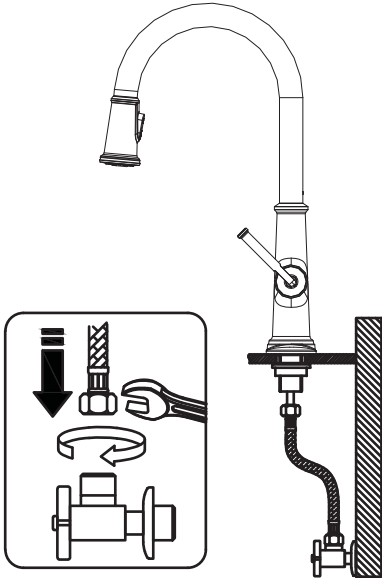
4. Connect spray hose (#6) to quick connector (#7) attached to supply line. Install weight (#9) on lowest vertical point on spray hose (#6).



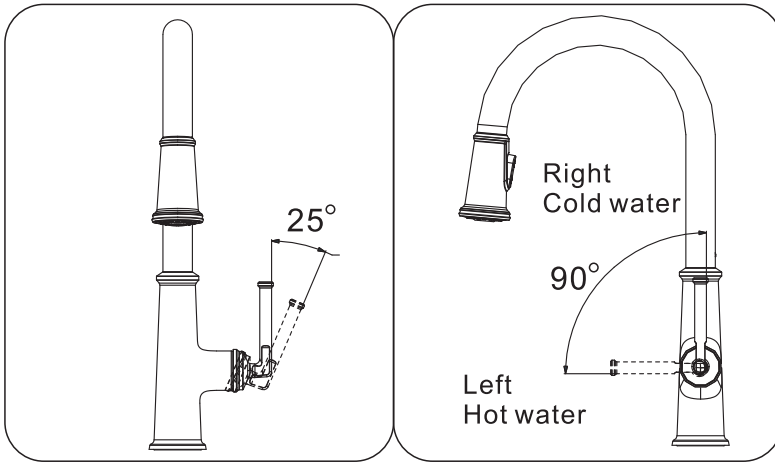
# INSTALLATION GUIDE

## STEP 5

5. Connect the water lines to outlet tightly.  
Turn on the outlet and check for leaks.



## How to operate the handle:

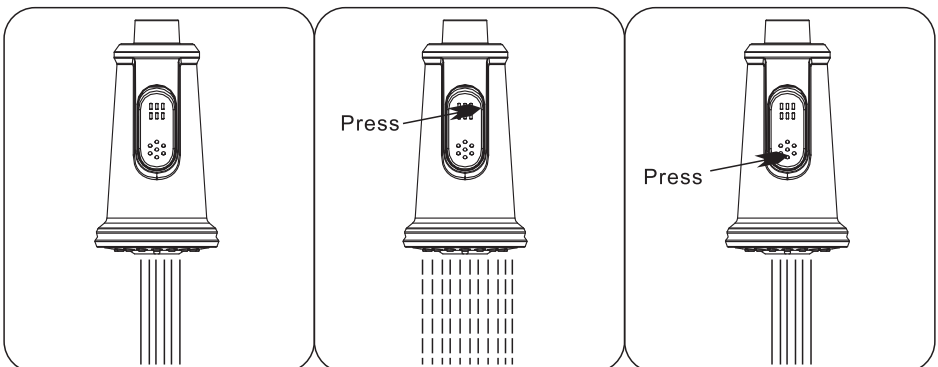


1. Open the handle lever to turn water on. Push to turn off.
2. Turn the handle lever to the left to increase hot water flow with higher water temperature. Lower the water temperature by operating reversely.

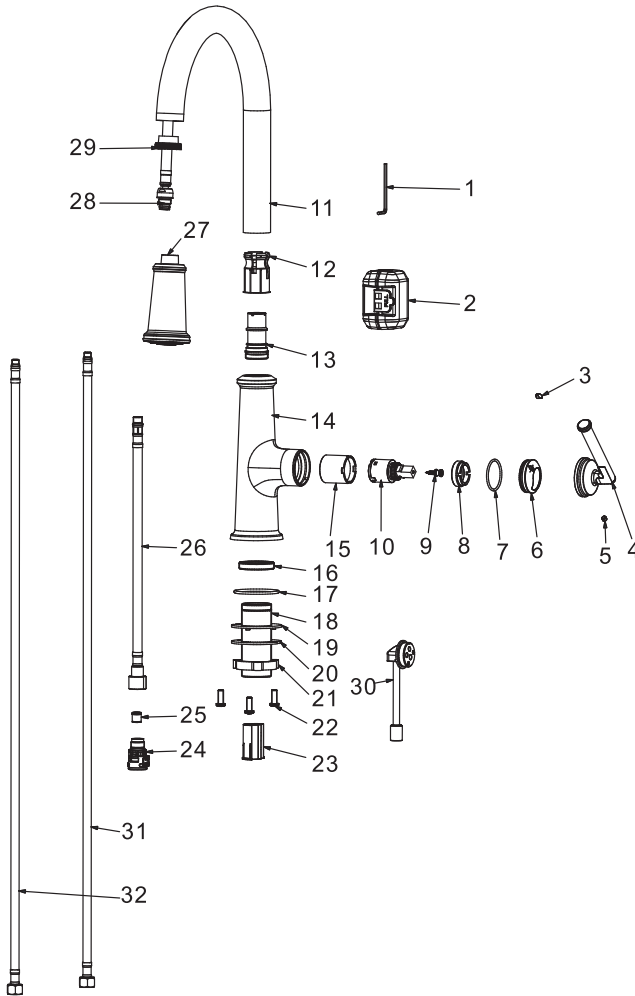
## Spray

The operation of the spray diverter:

1. When first turned on, water comes from aerator.
2. Press button back, water comes from nozzles.
3. Press button front, water comes from aerator.
4. Diverter button automatically returns to normal position once handle closed.



# REPLACEMENT PARTS



No.	Description	Finish/Color	Item No.
1.	Allen Key		8BS25
2.	Weight		5QQ569113
3.	Index		80N168073
4.	Handle	SS,MB,GG	50P25VGS2
5.	Screw Set		8EM5X4RB
6.	Trim Cap	SS,MB,GG	8ZG569067
7.	O-ring		8J35X2A
8.	Lock Nut		5YG569182
9.	Screw		8HM4X20A
10.	Cartridge		J10250MZ00
11.	Spout	SS,MB,GG	50G569178
12.	Spout Clip		5SJ569100
13.	Connector		5YJ569100
14.	Body	SS,MB,GG	50T569182
15.	Cartridge Hosing		52T569100
16.	Washer		5JT569129
17.	O-ring		8J50X25
18.	Threaded sleeve		84T16303
19.	Rubber Washer		81N56U26
20.	Metal Washer		81N56U26
21.	Mounting Nut		8NM56Z55
22.	Mounting Screw		8RM6X15
23.	Pull-out protector		5HT56068
24.	Quick Connector		J156226
25.	Check Valve		J92031NP3
26.	Hose		G55303SR00
27.	Spray	SS,MB,GG	F2M10
28.	Spray Hose		H569177
29.	Shower Jacket		4SJ569178
30.	Welding core		53T569121G
31.	Cold Water Line		G69703SR04
32.	Hot Water Line		G69703SR05

\*Denotes faucet component color options:

SS - Stainless Steel

MB - Matte Black

GG - Gunmetal Grey