



TBR-LOC
1250-06



Tools Needed

Measuring tape
Laser level (optional)
Level
3/8" wrench
Stud finder
Pencil
Impact driver
T25 torx drive bit

Parts Included

[2] Shelf bracket rods
[2] Base plates
[2] Channel nuts
[2] 2-1/2" cabinet screws
[2] 3" deck screws

Installation Instructions

Step 1: Using a level or laser level as a guide, draw a horizontal line on the selected wall or area at the desired installation height taking into account the thickness of the shelf. The line must be as long as the shelf that's being installed.

Step 2: Use a stud finder to find wall studs to mount the brackets on within the length of the horizontal line and mark them with them with a vertical line.

Step 3: Place the provided adhesive mounting template on the wall where the shelf bracket will be fastened. The top edge of the template should be on the horizontal line and the vertical center line should match the vertical line on the wall.

Step 4: With an impact and a T25 drive bit, drive a 2-1/2" cabinet screw into the lower indicator on the mounting template leaving approximately 1/8" between the head of the screw and the wall.

Step 5: Fit the base plate on the lower screw and hold it so the top is parallel with the top of the template.

Step 6: Fasten the plate to the wall by driving the 3" deck screw through the upper hole of the base plate.

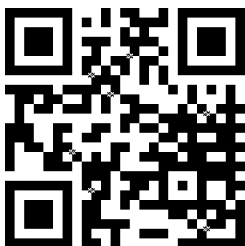
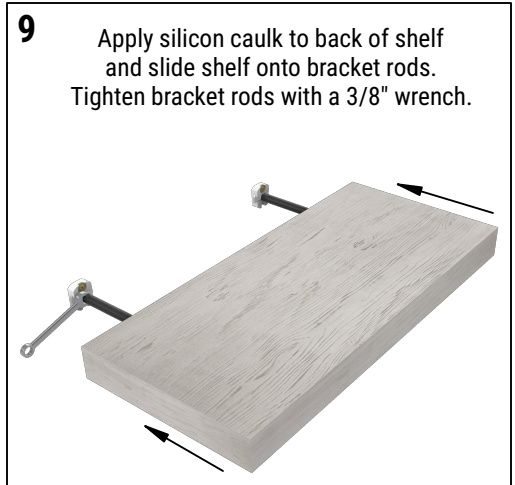
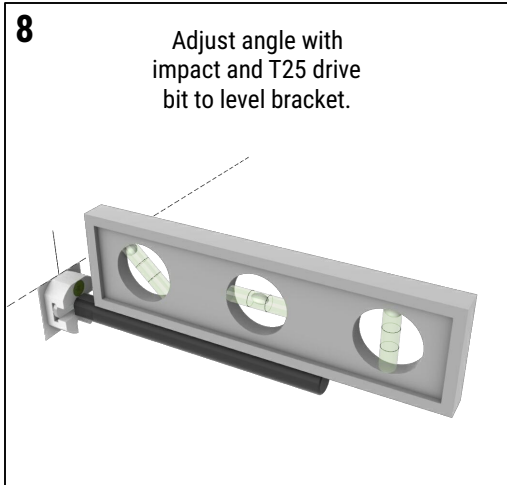
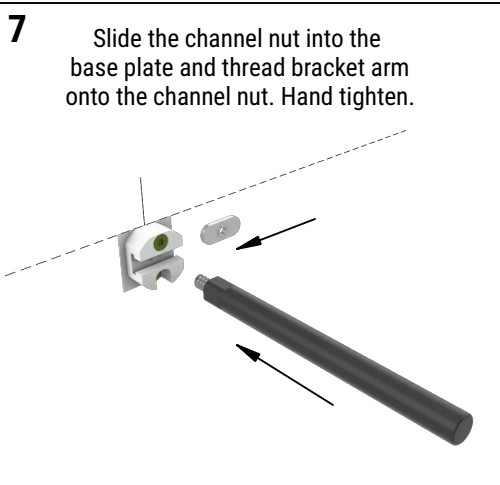
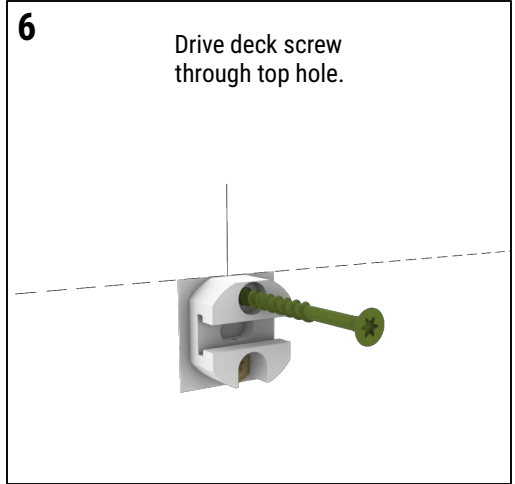
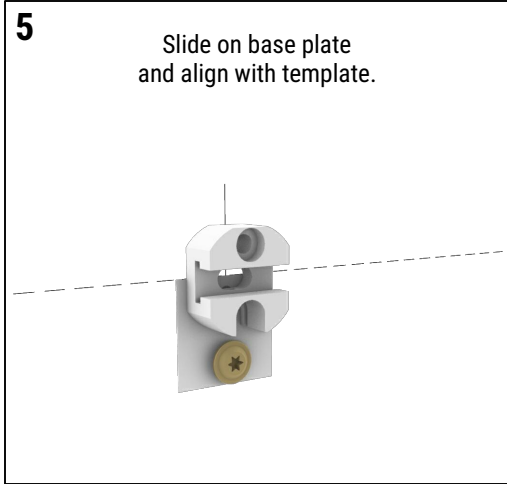
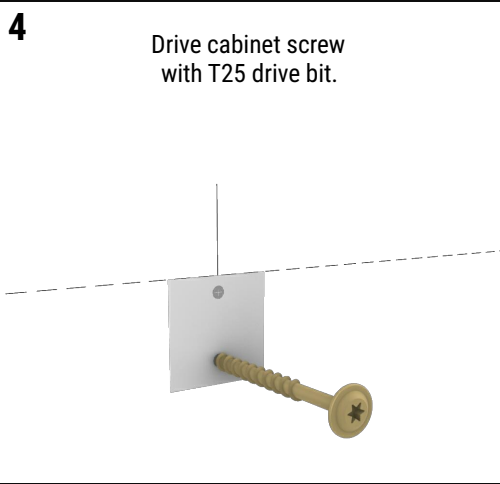
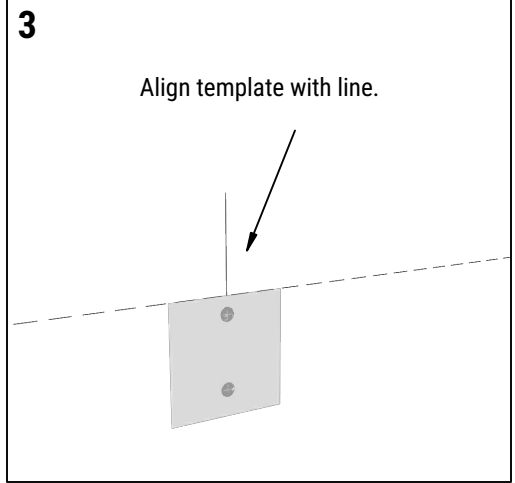
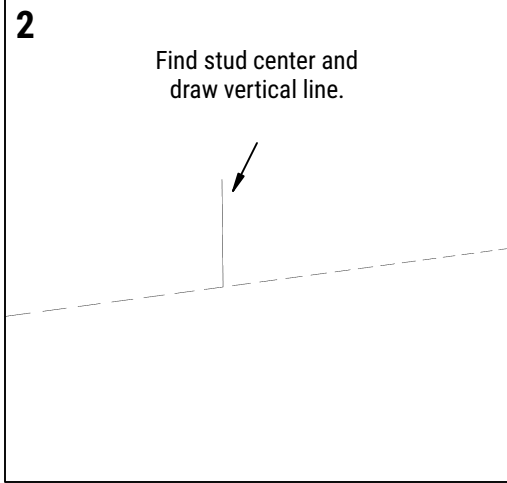
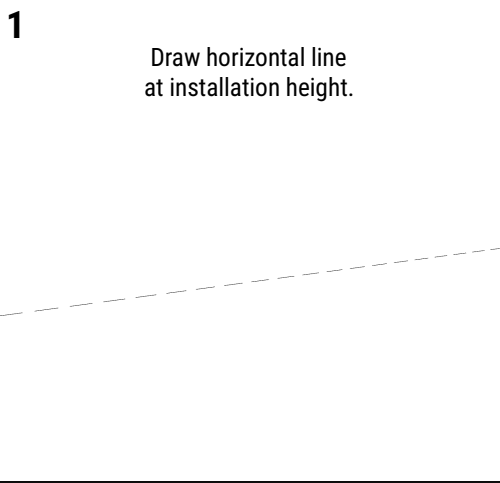
Step 7: Slide the channel nut into the base plate and thread the bracket rod into the channel nut. Hand tighten the bracket rod.

Step 8: To level the bracket, place a magnetic level on the top of the bracket rod and, using an impact with a T25 bit, rotate the bottom screw clockwise or counter-clockwise. Pitch the bracket arm up slightly to compensate for the weight of the shelf. Make sure to level the brackets with each other.

Repeat steps 3-8 for each shelf bracket.

Step 9: Loosen the bracket rod to align it with the holes in the shelf. Apply silicone caulk to the back of the shelf and slide the shelf onto the bracket rods until it is about 2" away from the wall. Tighten the bracket rods using a 3/8" wrench before pushing the shelf firmly against the wall.

For instructions on how to drill shelves to fit the TBR-LOC brackets, refer to Solid Wood Shelf Drilling Instructions.



Discover more products by visiting us online. Just scan this **QR code** or visit **www.innovashelf.com** to find inspiration photos, bracket specs, other products, and information about purchasing more brackets or buying wholesale.