



Quadro full extension drawer slides for wooden drawers:

Quadro V6 IW 21

Quadro 4D V6 IW 21

Quadro V6+ IW 21

Technik für Möbel


Hettich

Thank You For Choosing Hettich





Cabinet hardware technology is our competence and passion. Our products set the benchmark for function, quality, and comfort. The brand Hettich symbolizes a strong partnership with the Kitchen and Bath, Residential, Office, Distribution, and Appliance industries. Our today is dedicated to designing a successful tomorrow. Through our brand values (Quality, Innovation, Reliability, and Closeness to customers) we will pave the way to future successes.

Hettich is a German based, family owned, global supplier of hinges, drawer slides, drawer systems, and sliding/folding hardware. We have production facilities located in North America, Europe and Asia. Hettich America is proud of the fact that the Full Access Quadro is manufactured in our facility in Buford, GA, which created jobs and shortened leadtimes. A true benefit to our customers.

For all demands:
Quadro drawer slides



For all demands:

Quadro is available as partial or full extension, in many lengths and load capacities.

Even heavy drawers close quietly and gently – thanks to the integrated Silent System.



Quadro drawer slides guarantee the ultimate in drawer convenience: attractive design through concealed installation, long service life and unceasing top performance.

The robust, resilient runners provide the steel balls with optimum control - for perfect vertical and lateral stability.

The optional Silent System gently shuts drawers in complete silence.



High precision Quadro profiles provide easy action and smooth gliding performance, for a maximum feel of luxury.



Installing wooden drawers couldn't be easier: simply slide on the drawer.

Benefits at a glance: Quadro drawer slides

For lasting furniture pleasure:

- High precision, maintenance free steel ball bearings
- Special Quadro profile geometry for good tracking and stability
- Harmonious, smooth running action

For efficient furniture production:

- A multitude of opportunities for variation with uniform drawer dimensions and carcass drillings
- Partial and full extension slides
- Integrated Silent System
- Quadro 4D with precision front panel adjustment

For attractive furniture design:

- Concealed runner profiles impress from behind the front panel



Quadro 4D V6 for a best in class front panel alignment:

- Intuitive and tool-less adjustment of the front panel
- Height adjustment ± 2 mm
- Side adjustment $\pm 1,5$ mm
- Depth adjustment ± 2 mm
- Tilt adjustment

Drawer slides for wooden drawers

► Quadro full extension slides



Quadro drawer runners guarantee the ultimate in drawer convenience. With attractive design from concealed installation. With long life and constant top performance. The robust, resilient runners provide the steel balls with optimum control – for perfect vertical and lateral stability. The optional

Silent System gently shuts drawers in complete silence. The Push to open function automatically opens the pull-out in response to a light press on the front panel – for handleless fronts.



Quadro:
Precision engineered for strength and excellent running quality.



For all demands:
Partial and full extension runners in many lengths and loading categories.



For the most exacting of demands:
Even heavy drawers close quietly and gently – thanks to the integrated Silent System.



Push to open:
The perfect solution for opening handleless drawers.



Perfectly aligned front panels:
Quadro 4D V6 with 4 way adjustment capability.



Wooden drawers very easy to install:
slide on and plug on principle.

Drawer slides for wooden drawers

- ▶ Quadro full extension slides
- ▶ Summary



Quadro V6 IW 21 / Quadro 4D V6 IW 21 /
Quadro V6+ IW 21 full extension slides, slide on installation
Range summary / Technical comparison

8



Accessories
Range summary / Technical comparison

9






Technical information

19 - 25

Drawer slides for wooden drawers



- ▶ **Quadro full extension slides**
- ▶ **Range summary / Technical comparison**

	Quadro V6 with Silent System	Quadro 4D V6 with Silent System	Quadro V6+ with Silent System
			
Page	10 - 11	12 - 13	14 - 15
Description	Full extension runner with integrated Silent System	Full extension runner with integrated Silent System and 4D adjustment	Full extension runner with integrated Silent System
Loading capacity	90 lbs	90 lbs	130 lbs
Drawer lengths	9" - 24"	9" - 24"	15" - 24"
Installation	<ul style="list-style-type: none"> ▶ Face frame application or frameless application ▶ Slide on installation 	<ul style="list-style-type: none"> ▶ Face frame application or frameless application ▶ Slide on installation 	<ul style="list-style-type: none"> ▶ Only for frameless application ▶ Slide on installation

- ▶ **Quadro full extension slides**
- ▶ **Range summary / Technical comparison**

Accessories



16 - 18

Rear attachments, spacer block,
optional opening system

Drawer slides for wooden drawers

- ▶ **Quadro V6 full extension slide with Silent System**
- ▶ **Load capacity 90 lbs**

Quadro V6 full extension slide with Silent System



- ▶ **Silent System:** the integrated Silent System closes the drawer quietly and gently
- ▶ Convenient slide on installation with catches and tool-less height adjustment
- ▶ Meets or exceeds ANSI/BHMA 156.9 grade 1 requirements
- ▶ Load capacity up to 90 lbs dynamic (100 lbs static), as per ANSI/BHMA 156.9 grade 1 specifications on a 21" length slide
- ▶ Galvanized steel, suitable for rooms exposed to moisture
- ▶ For 1/2" (13 mm) or 5/8" (16 mm) drawer side thickness

Quadro V6 IW21 full extension drawer slide

Item	Drawer box length		Order no. Set	PU	Order no. Left hand	Order no. Right hand	PU
	mm	(inch)					
Quadro V6 9"	229 mm	(9")	9 134 399	10	9 134 397	9 134 398	20
Quadro V6 12"	305 mm	(12")	9 134 388	5	9 134 385	9 134 386	10
Quadro V6 15"	381 mm	(15")	9 134 368	5	9 134 370	9 134 381	10
Quadro V6 18"	457 mm	(18")	9 134 339	5	9 134 340	9 134 341	10
Quadro V6 21"	533 mm	(21")	9 134 329	5	9 134 331	9 134 332	10
Quadro V6 24"	610 mm	(24")	9 134 273	5	9 134 271	9 134 272	10

IW = Installation width

Front fixing clip sets



- ▶ Set contains one front fixing clip left/right each
- ▶ For 13 mm (1/2") or 16 mm (5/8") drawer material thickness
- ▶ With + 2 mm toolless height adjustment
- ▶ Minimum drawer inside width = 165 mm (6 1/2")
- ▶ Installation recommended with two # 6 x 3/4" flat head screws per clip

Item	Order no.	PU
Front fixing clip set for 1/2"	9 140 416	100
	9 140 417	10
Front fixing clip set for 5/8"	9 140 413	100
	9 140 415	10

Advice

- ▶ Dimensions in millimeters (inch approximations as noted). Subject to technical modifications without notice.

Drawer slides for wooden drawers

- ▶ **Quadro V6 full extension slide with Silent System**
- ▶ **Load capacity 90 lbs**

Front fixing clip set with spacer



- ▶ Set contains front fixing clips left/right for 16 mm (5/8") drawer subfront thickness, and two optional spacers for 13 mm (1/2") drawer subfront thickness
- ▶ With + 2 mm toolless height adjustment
- ▶ Minimum drawer inside width = 165 mm (6 1/2")
- ▶ Installation recommended with two # 6 x 7/8" flat head screws per clip

Item	Order no.	PU
Front fixing clip set & spacer for 5/8" or 1/2"	9 026 839	10

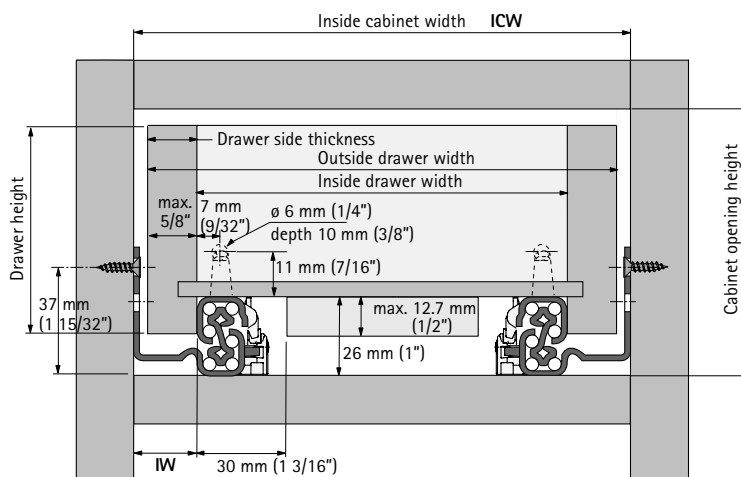
Front fixing clip for narrow drawers



- ▶ Set contains one front fixing clip left/right each
- ▶ For 13 mm (1/2") or 16 mm (5/8") drawer material thickness
- ▶ Minimum drawer inside width = 92 mm (3 5/8")
- ▶ No height adjustment
- ▶ Installation recommended with two # 6 x 3/4" flat head screws per clip

Item	Order no.	PU
Narrow front fixing clip set for 1/2"	9 194 032	50
Narrow front fixing clip set for 5/8"	9 154 442	50

Planning dimensions



IW = Installation width	21 mm	
Drawer side thickness	1/2" (13 mm)	5/8" (16 mm)
Outside drawer width = ICW minus	5/8" (16 mm)	3/8" (10 mm)
Inside drawer width = ICW minus	1 21/32" (42 mm)	

Maximum drawer height = cabinet opening height minus 20 mm (13/16")
 Minimum cabinet opening height = drawer height plus 20 mm (13/16")
 Dimensions in millimeters (inch approximations as noted)

Advice

- ▶ Dimensions in millimeters (inch approximations as noted). Subject to technical modifications without notice.

Drawer slides for wooden drawers

- ▶ **Quadro 4D V6 full extension slide with Silent System**
- ▶ **Load capacity 90 lbs**

Quadro 4D V6 full extension slide with Silent System



- ▶ Integrated damping system **Silent System**
- ▶ **Slide on installation** with 4D front fixing clips and tilt adjustment
- ▶ Optionally upgradable with **Push to open Silent**: convenient opening mechanism in combination with silent and soft closing; upgradable with synchronisation
- ▶ Tool-less, intuitive height adjustment up to + 2 mm, side adjustment up to +/- 1.5 mm, depth adjustment up to +/- 2 mm, and tilt adjustment
- ▶ For up to 5/8" (16mm) drawers side thickness
- ▶ For Face frame or frameless applications
- ▶ Meets or exceeds ANSI/BHMA 156.9 grade 1 requirements
- ▶ Load capacity up to 90 lbs dynamic (100 lbs static), as per ANSI/BHMA 156.9 grade 1 specification on a 21" length slide
- ▶ Galvanised steel

Quadro 4D V6 IW21 full extension drawer slide

Item	Drawer box length		Order no. Set	PU	Order no. Left hand	Order no. Right hand	PU
	mm	(inch)					
Quadro 4D V6 9"	229 mm	(9")	9 209 777	5	9 262 842	9 262 843	10
Quadro 4D V6 12"	305 mm	(12")	9 209 798	5	9 262 844	9 262 845	10
Quadro 4D V6 15"	381 mm	(15")	9 209 799	5	9 262 846	9 262 847	10
Quadro 4D V6 18"	457 mm	(18")	9 209 800	5	9 262 848	9 262 849	10
Quadro 4D V6 21"	533 mm	(21")	9 209 801	5	9 262 850	9 262 851	10
Quadro 4D V6 24"	610 mm	(24")	9 209 802	5	9 262 852	9 262 853	10

IW = Installation width

Quadro 4D V6 Front fixing clips



- ▶ Quadro 4D V6 Front fixing clips
- ▶ For securely connecting the Quadro runner and wooden drawer without the need for tools
- ▶ Tool-less height adjustment up to + 2 mm and side adjustment up to +/- 1.5 mm
- ▶ Installation recommended with two # 6 x 3/4" flat head screws per catch
- ▶ Plastic, grey

Article	Order no.	PU
Catch, Quadro 4D, left	9 247 355	100
Catch, Quadro 4D, right	9 247 356	100

Distributor pack: Quadro 4D V6 Front fixing clip set with spacers



- ▶ For securely connecting the Quadro runner and wooden drawer without the need for tools
- ▶ Tool-less height adjustment up to + 2 mm
- ▶ Installation recommended with two # 6 x 7/8" flat head screws per catch and side adjustment up to +/- 1.5 mm
- ▶ Plastic, grey

Distributor pack includes:

- ▶ 10 LH Front Fixing Clips
- ▶ 10 RH Front Fixing Clips
- ▶ 20 Spacers for 1/2" drawer box material

Article	Order no.	PU
Distributor pack	9 218 980	10

Advice

- ▶ Dimensions in millimeters (inch approximations as noted). Subject to technical modifications without notice.

Drawer slides for wooden drawers

- ▶ **Quadro 4D V6 full extension slide with Silent System**
- ▶ **Load capacity 90 lbs**

Quadro 4D V6 tilt adjuster for wooden drawers



- ▶ Large range within which the rear hook can be inserted in the runner for safe installation, even when the adjustment range is fully used
- ▶ Tool-less tilt adjustment, conveniently achieved by pulling the drawer forward slightly on the runner
- ▶ Plastic, grey
- ▶ Installation recommended with two # 6 x 1/2" flat head screws per adjuster

Article	Order no.	PU
Tilt adjuster, Quadro 4D, left	9 205 924	100
Tilt adjuster, Quadro 4D, right	9 205 925	100

Distributor pack: Quadro 4D V6 Front fixing clip set with tilt adjustment and spacers



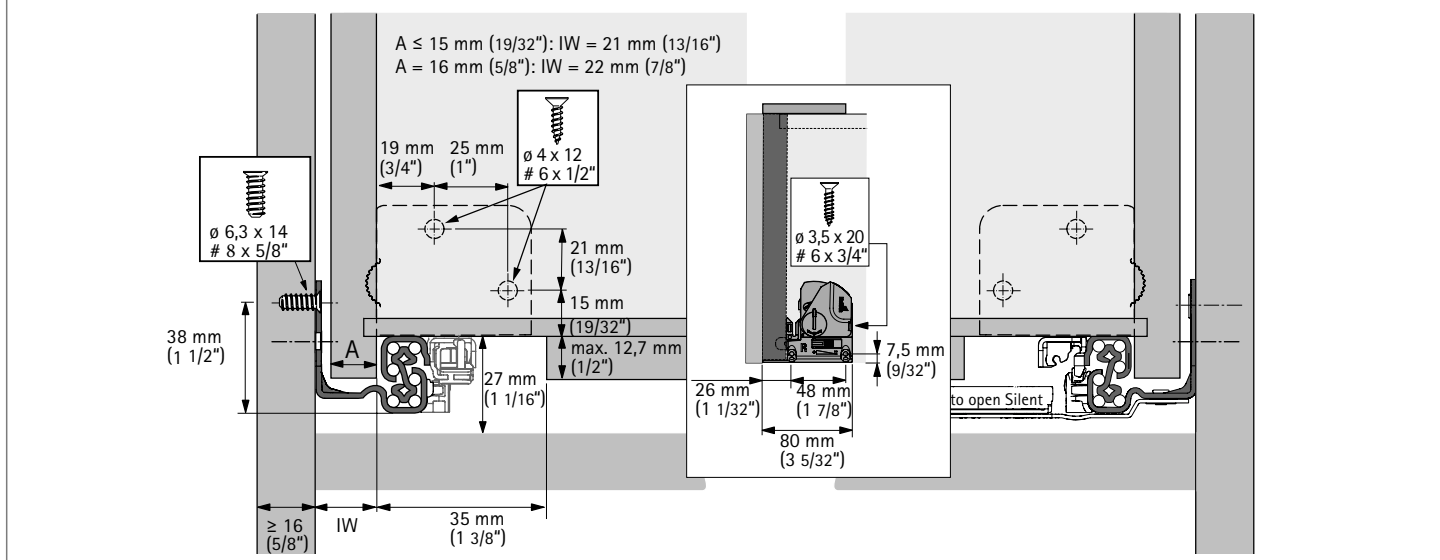
- ▶ Large range within which the rear hook can be inserted in the runner for safe installation, even when the adjustment range is fully used
- ▶ Tool-less tilt adjustment, conveniently achieved by pulling the drawer forward slightly on the runner
- ▶ Plastic, grey

Distributor pack includes:

- ▶ 10 LH Front Fixing Clips
- ▶ 10 RH Front Fixing Clips
- ▶ 10 LH Tilt Adjusters
- ▶ 10 RH Tilt Adjusters
- ▶ 20 Spacers for 1/2" drawer box material

Article	Order no.	PU
Distributor pack	9 218 979	10

Planning dimensions



* Limited side adjustment, internal drawer width not compatible with Quadro V6

Advice

- ▶ Dimensions in millimeters (inch approximations as noted). Subject to technical modifications without notice.

Drawer slides for wooden drawers

- ▶ **Quadro V6+ full extension slide with Silent System**
- ▶ **Load capacity 130 lbs**

Quadro V6+ full extension slide with Silent System



- ▶ **Silent System:** the integrated Silent System closes the drawer quietly and gently
- ▶ Convenient slide on installation with catches and tool-less height adjustment
- ▶ Meets or exceeds ANSI/BHMA 156.9 grade 1 requirements
- ▶ Load capacity up to 130 lbs dynamic (170 lbs static), as per ANSI/BHMA 156.9 grade 1 specifications on a 21" length slide
- ▶ Galvanized steel, suitable for rooms exposed to moisture
- ▶ For 5/8" (16 mm) drawer side thickness
- ▶ For frameless application only

Quadro V6+ IW21 full extension drawer slide

Item	Drawer box length		Order no.	Order no.	PU
	mm	(inch)	Left hand	Right hand	
Quadro V6 15"	381 mm	(15")	9 248 619	9 248 620	8
Quadro V6 18"	457 mm	(18")	9 244 389	9 244 390	8
Quadro V6 21"	533 mm	(21")	9 244 387	9 244 388	8
Quadro V6 24"	610 mm	(24")	9 236 068	9 236 069	8

IW = Installation width

Front fixing clip



- ▶ Set contains one front fixing clip left/right each
- ▶ For safely connecting the Quadro runner and wooden drawer without the need for tools
- ▶ Infinite height adjustment up to + 2 mm via a knurled wheel
- ▶ Plastic, back

Item	Order no.	PU
Front fixing clip left hand	9 117 483	100
Front fixing clip right hand	9 117 485	100
Front fixing clip set	9 117 492	1/5

Advice

- ▶ Dimensions in millimeters (inch approximations as noted). Subject to technical modifications without notice.

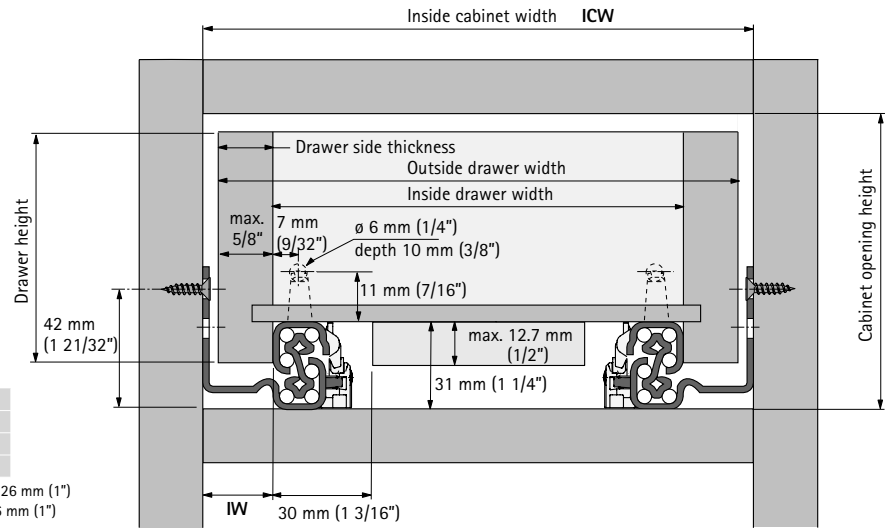
Drawer slides for wooden drawers

- ▶ **Quadro V6+ full extension slide with Silent System**
- ▶ **Load capacity 130 lbs**

Planning dimensions

IW = Installation width	21 mm
Drawer side thickness	5/8" (16 mm)
Outside drawer width = ICW -	3/8" (10 mm)
Inside drawer width = ICW -	1 21/32" (42 mm)

Maximum drawer height = cabinet opening height minus 26 mm (1")
 Minimum cabinet opening height = drawer height plus 26 mm (1")
 Dimensions in millimeters (inch approximations as noted)



Advice

- ▶ Dimensions in millimeters (inch approximations as noted). Subject to technical modifications without notice.

Drawer runners for wooden drawers

- ▶ Quadro accessories
- ▶ Push to open Silent for Quadro 4D V6 with Silent System

Push to open Silent for Quadro 4D V6 with Silent System



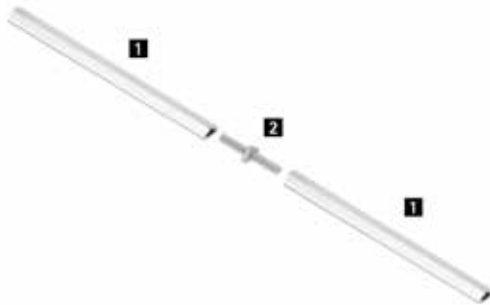
- ▶ Units: 20 kg (44 lbs), 30 kg (66 lbs)
- ▶ Optional, upgradeable for all nominal lengths without tools
- ▶ Internal cabinet body width > 200 mm (7 7/8"), minimal drawer front gap of 2.5 mm (3/32")
- ▶ Can be clipped on without tools
- ▶ Drawers can still be pulled open / guided closed

Set comprises:

- ▶ 1 Push to open Silent unit, left and right
- ▶ 1 activator, left and right
- ▶ 2 adapters for mounting optional synchronisation

Total weight		Quadro		Nominal length		Order no.	PU
kg	lbs	kg	lbs	mm	inch		
8 - 20	17 - 44	30	66	250 - 600	12" - 24"	9 246 315	1
10 - 30	22 - 66	30	66	250 - 600	12" - 24"	9 246 316	1

Optional synchronisation for Push to open Silent



- ▶ Synchronisation bar for cutting to length, 2000 mm (78 24/32")
- ▶ Connector for minimising offcut waste
- ▶ Recommended for cabinet bodies in widths of > 600 mm (24"); can be used from 275 mm (11")
- ▶ Aluminium, anodised, grey plastic

Article	Order no.	PU
1 Synchronisation bar	9 236 718	1/100
2 Connector	9 221 295	1/20

Drawer runners for wooden drawers

- ▶ **Quadro accessories**
- ▶ **Push to open Silent for Quadro 4D V6 with Silent System**

Recommendation for drawer (front panel height up to approx. 150 mm / 6")*

Nominal length		Nominal width inch												
mm	inch	12"	15"	18"	21"	24"	27"	30"	33"	36"	39"	42"	45"	48"
250 - 300	12"													
380 - 550	15" - 21"													
580 - 600	24"													

Recommendation for pot-and-pan drawer (front panel height up to approx. 300 mm / 12", light to medium duty loading)*

Nominal length		Nominal width mm												
mm	inch	12"	15"	18"	21"	24"	27"	30"	33"	36"	39"	42"	45"	48"
250 - 300	12"													
380 - 550	15" - 21"													
580 - 600	24"													

Recommendation for pot-and-pan drawer, heavy duty (front panel height up to approx. 300 mm / 12", heavy duty loading, e.g. with stacks of plates)*

Nominal length		Nominal width mm												
mm	inch	12"	15"	18"	21"	24"	27"	30"	33"	36"	39"	42"	45"	48"
250 - 300	12"													
380 - 550	15" - 21"													
580 - 600	24"													

Order no. Push to open Silent:

9 246 315

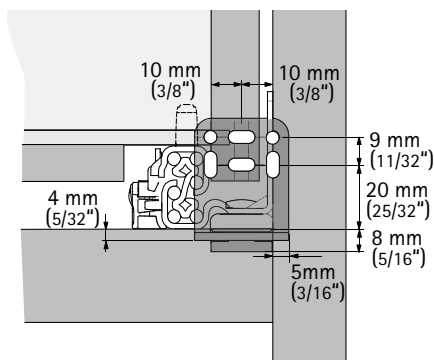
9 246 316

* Recommendations for applications (front panel 19 mm chipboard, normal household loading), please refer to our online configurator to get more exact recommendations for customer chosen front panel dimensions and materials.

Drawer slides for wooden drawers

- ▶ Quadro accessories
- ▶ Rear attachments

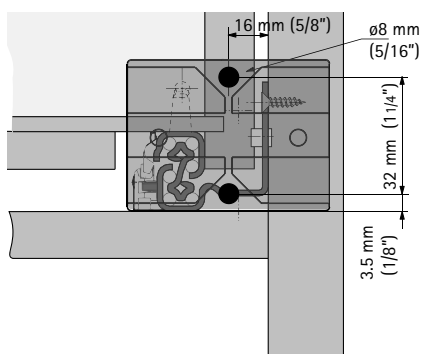
Metal rear attachment set (screw-on)



- ▶ Set contains 2 metal rear mount brackets and 2 plastic connectors
- ▶ Non-handed, two-piece design
- ▶ For up to 50 mm (1 15/16") depth adjustment and ± 1,5 mm (1/16") side adjustment
- ▶ Additional adjustment via oblong holes
- ▶ Installation recommended with min. four # 6 pan head screws or similar

Item	Order no.	PU
Rear attachment set	9 055 093	10

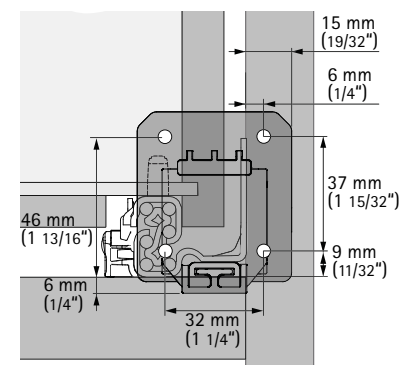
Plastic rear attachment (TennTex Solutions C-307, plug-in)



- ▶ Plastic rear mount bracket with connector
- ▶ Non-handed, two-piece design (pre-assembled)
- ▶ For up to 27 mm (1 1/16") depth adjustment and +/- 16 mm (5/8") side-to-side self-alignment
- ▶ Non-detachable 8 mm dowels
- ▶ For 1/8" rear panel material thickness.
- ▶ Order 2 per drawer

Item	Order no.	PU
Rear attachment	1 135 174	100

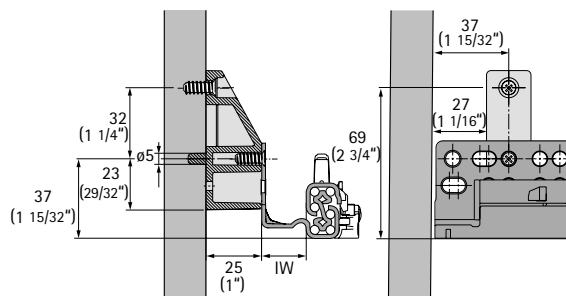
Plastic rear attachment (TennTex Solutions C-274, screw-on)



- ▶ Plastic rear mount bracket with connector
- ▶ Non-handed, two-piece design (pre-assembled)
- ▶ For up to 27 mm (1 1/16") depth adjustment and +/- 12 mm (15/32) side-to-side self-alignment
- ▶ Installation recommended with four # 8 flat head screws per bracket
- ▶ Order 2 per drawer

Item	Order no.	PU
Rear attachment	1 135 181	100

Spacer block



- ▶ 25 mm (1") distance block
- ▶ For Setback blocking, frameless construction, internal pullouts, etc.
- ▶ Installation recommended with one ø 6.3 mm Euro screw or # 8 flat head screw per spacer
- ▶ Installation of slide to spacer recommended with one ø 6.3 mm Euro screw per spacer

Item	Order no.	PU
Spacer, 25 mm white	1 130 537	200

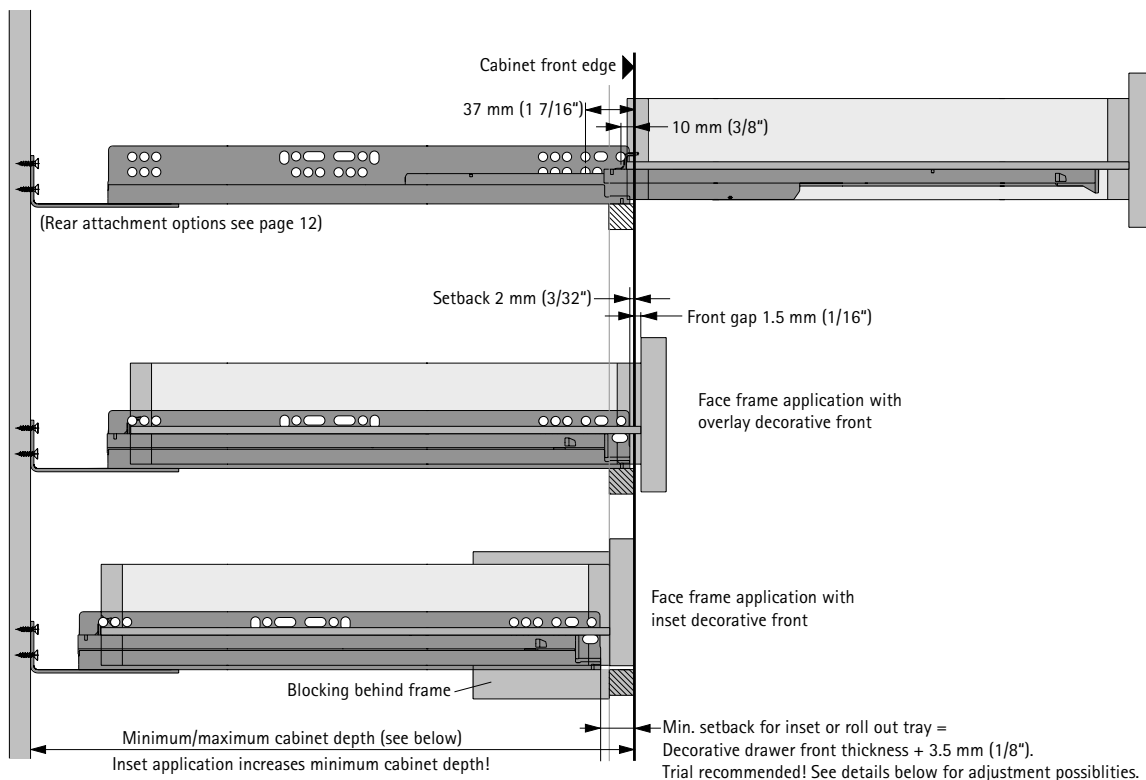
Advice

- ▶ Dimensions in millimeters (inch approximations as noted). Subject to technical modifications without notice.

Drawer slides for wooden drawers

- ▶ **Quadro**
- ▶ **Technical information**

Mounting specifications – (Quadro V6 / Quadro 4D V6, face frame application)



Minimum / maximum cabinet depth (Quadro V6 / Quadro 4D V6, face frame application)

Drawer box length		Min-Max cabinet depth with metal rear attachment		Min-Max cabinet depth with plastic rear attachment (TennTex C-307)	
mm	(inch)	mm	(inch)	mm	(inch)
229 mm	(9") Quadro V6	250 - 300 mm	(9 7/8" - 11 3/4")	270 - 297 mm	(10 5/8" - 11 11/16")
305 mm	(12")	326 - 376 mm	(12 7/8" - 14 3/4")	346 - 373 mm	(13 5/8" - 14 11/16")
381 mm	(15")	402 - 452 mm	(15 7/8" - 17 3/4")	422 - 449 mm	(16 5/8" - 17 11/16")
457 mm	(18")	479 - 529 mm	(18 7/8" - 20 3/4")	498 - 525 mm	(19 5/8" - 20 11/16")
533 mm	(21")	555 - 605 mm	(21 7/8" - 23 3/4")	574 - 601 mm	(22 5/8" - 23 11/16")
610 mm	(24")	631 mm (24 7/8") no rear attachment, must be blocked out			

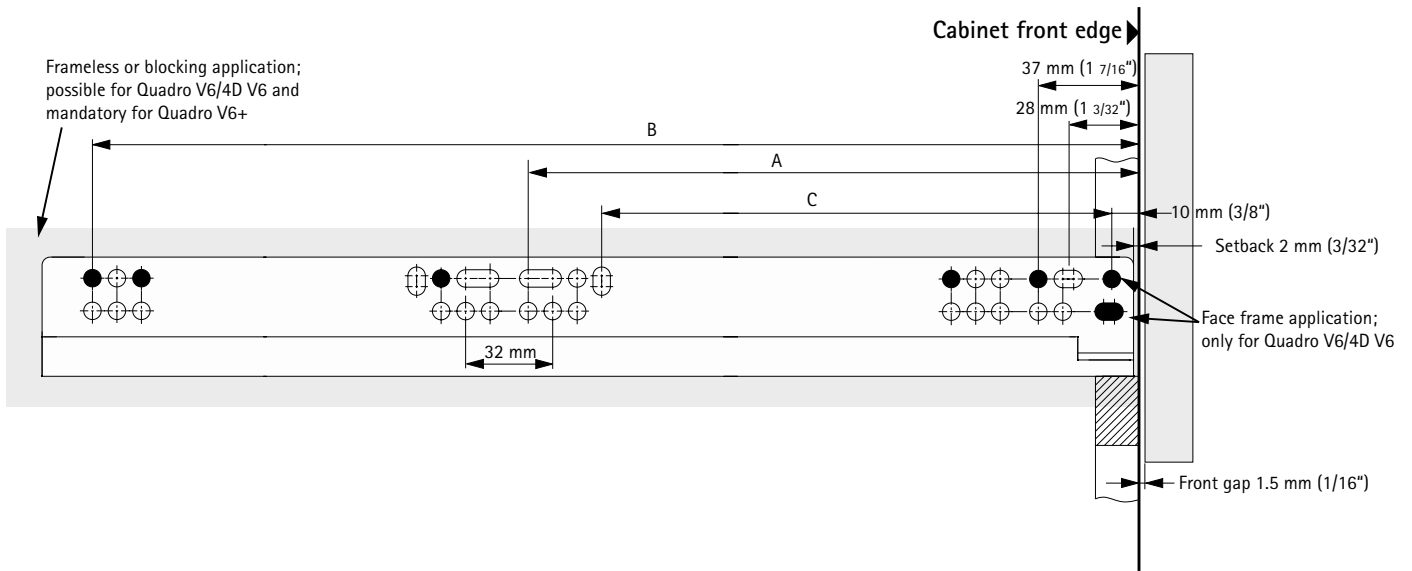
Advice

- ▶ Dimensions in millimeters (inch approximations as noted). Subject to technical modifications without notice.

Drawer slides for wooden drawers

- ▶ **Quadro**
- ▶ **Technical information**

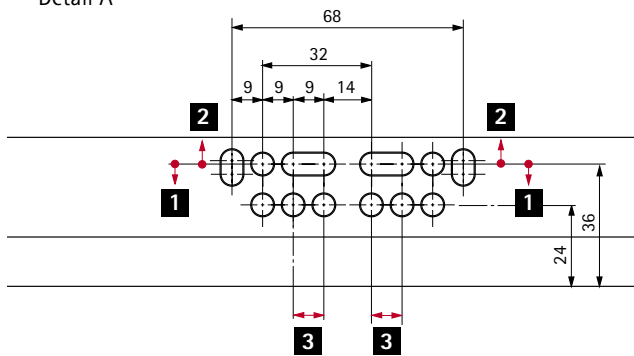
Mounting specifications – (Quadro V6 / Quadro 4D V6 / Quadro V6+, face frame or frameless application)



Item	Drawer box length		A		B		C		Minimum cabinet depth (blocking of frameless cabinet)	
	mm	(inch)	mm	(inch)	mm	(inch)	mm	(inch)	mm	(inch)
Quadro V6 / 4D V6	229	(9")	133	(5 1/4")	229	(9")	96	(3 25/32")	250	(9 7/8")
Quadro V6 / 4D V6	305	(12")	165	(6 1/2")	261	(10 1/4")	128	(5 1/32")	326	(12 7/8")
Quadro V6 / 4D V6 / V6+	381	(15")	165	(6 1/2")	357	(14 1/16")	128	(5 1/32")	402	(15 7/8")
Quadro V6 / 4D V6 / V6+	457	(18")	261	(10 1/4")	453	(17 13/16")	224	(8 13/16")	479	(18 7/8")
Quadro V6 / 4D V6 / V6+	533	(21")	261	(10 1/4")	517	(20 3/8")	224	(8 13/16")	555	(21 7/8")
Quadro V6 / 4D V6 / V6+	610	(24")	261	(10 1/4")	453	(17 13/16")	224	(8 13/16")	631	(24 7/8")

Adjustment possibilities – cabinet profile details

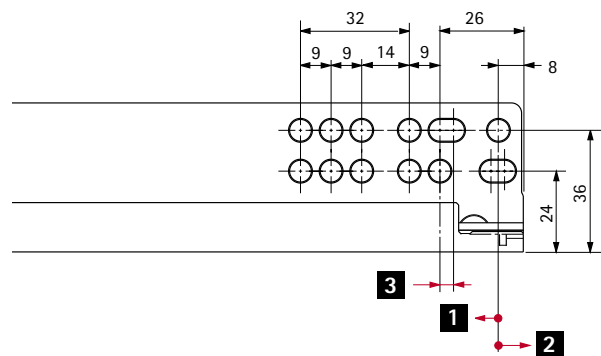
Detail A*



- Drawer adjustments:
- 1** 1 mm (1/32") (down)
 - 2** 3 mm (1/8") (up)
 - 3** 9 mm (3/8") (range in/out)

Trial recommended!
Adjustment influences minimum cabinet depth.

Detail B*



- Drawer adjustments:
- 1** 1.5 mm (1/16") (in)
 - 2** 2.5 mm (3/32") (out)
 - 3** 4 mm (5/32") (range in/out)

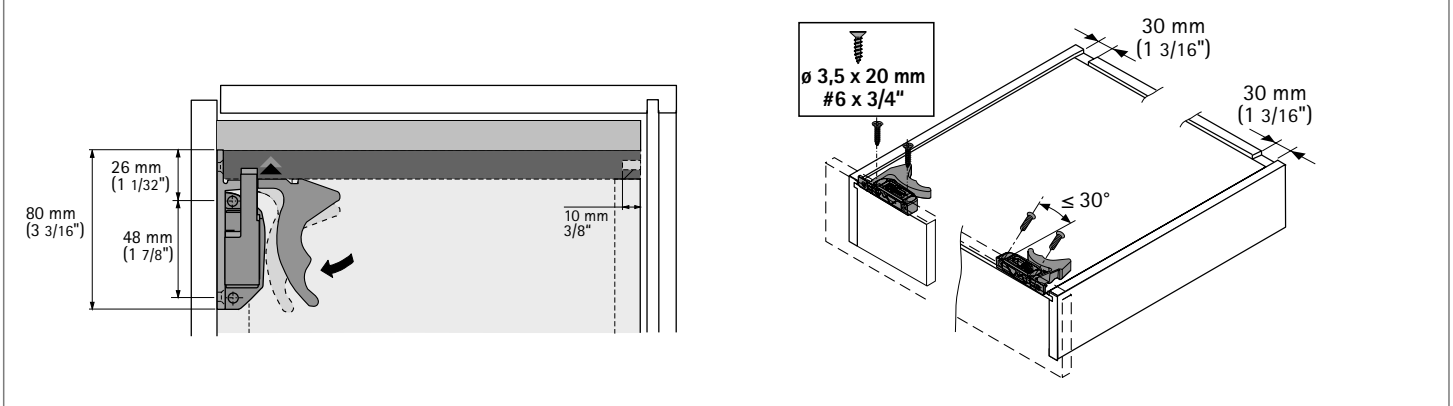
Advice

- ▶ Dimensions in millimeters (inch approximations as noted). Subject to technical modifications without notice.

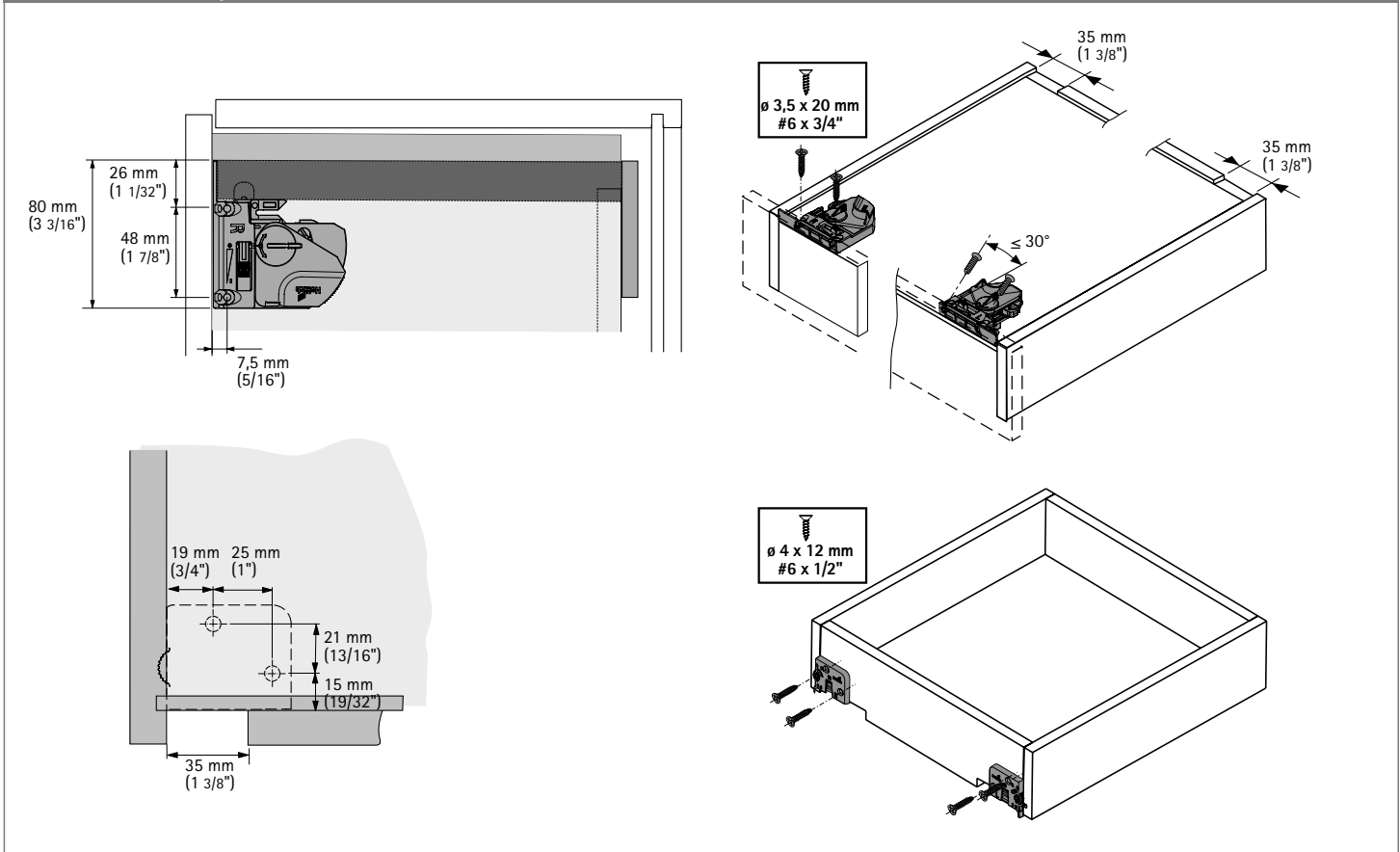
Drawer slides for wooden drawers

- ▶ Quadro
- ▶ Technical information

Catches for wooden drawers (Quadro V6 / Quadro V6+ full extension)



Catch and tilt adjuster for wooden drawers (Quadro 4D V6 full extension)



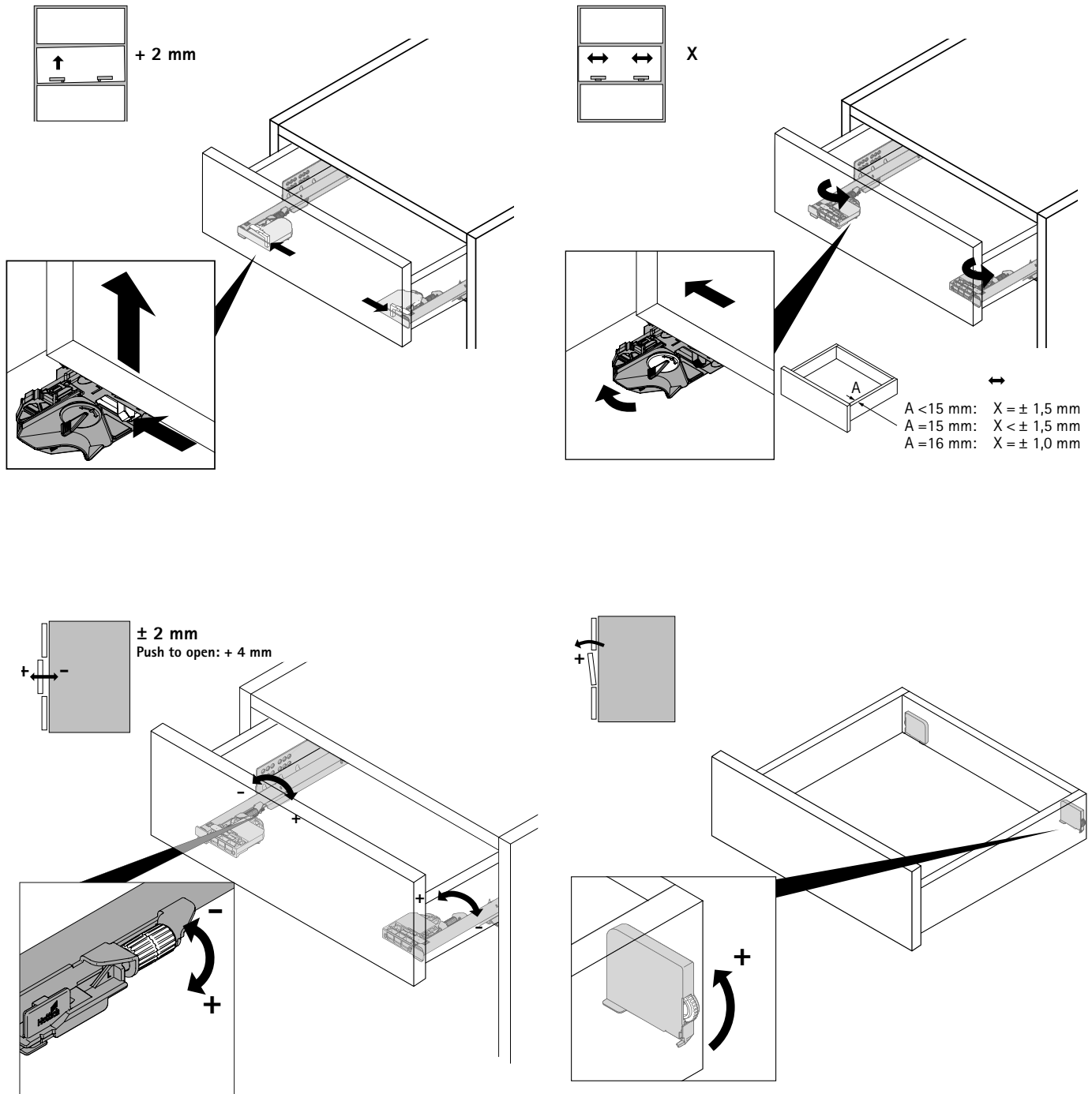
Advice

- ▶ Dimensions in millimeters (inch approximations as noted). Subject to technical modifications without notice.

Drawer slides for wooden drawers

- ▶ Quadro
- ▶ Technical information

Quadro 4D V6 full extension runner: adjustment of the drawer front panel



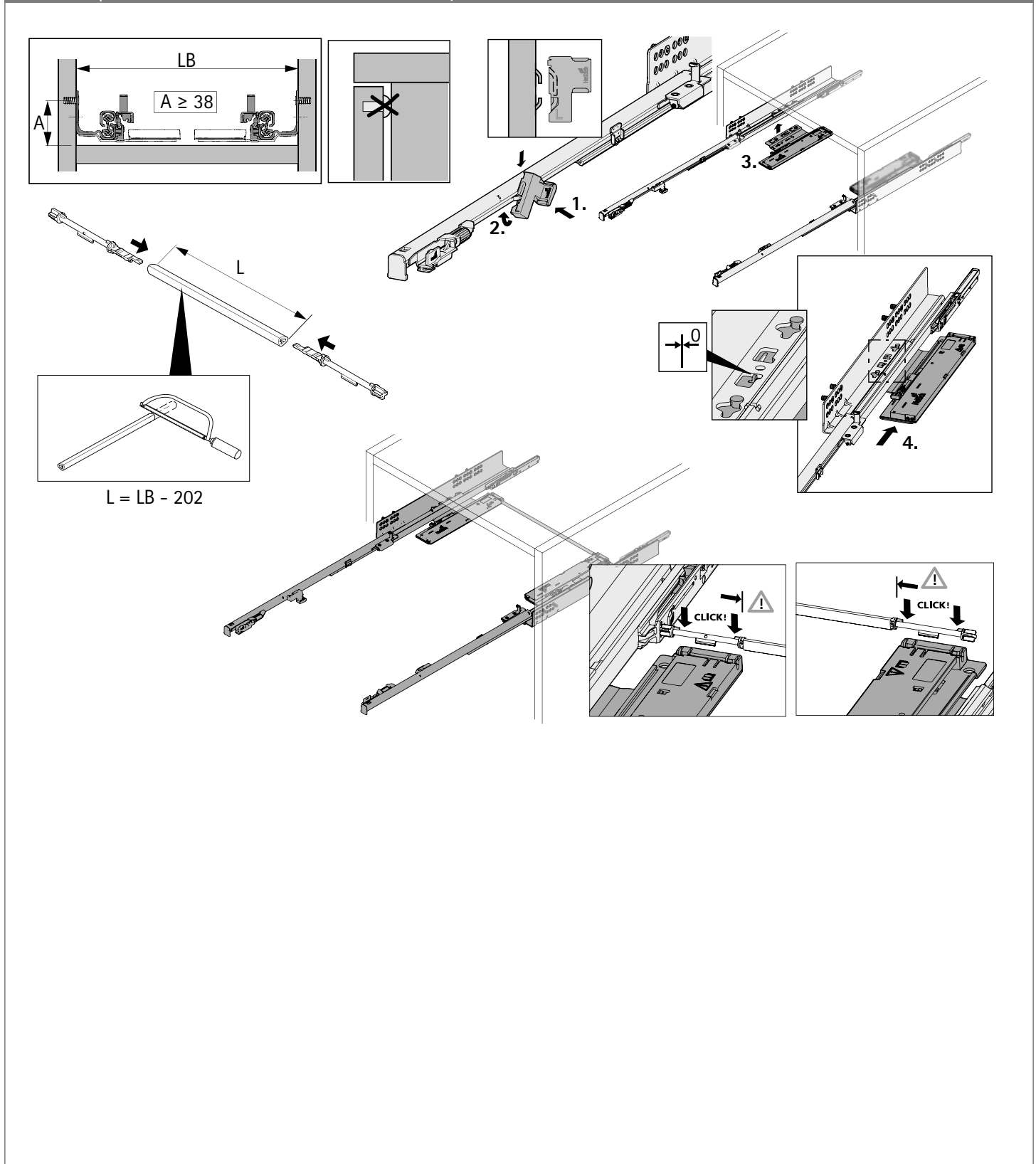
Advice

- ▶ Dimensions in millimeters (inch approximations as noted). Subject to technical modifications without notice.

Drawer slides for wooden drawers

- ▶ Quadro
- ▶ Technical information

Push to open Silent (Quadro 4D V6 with Silent System)



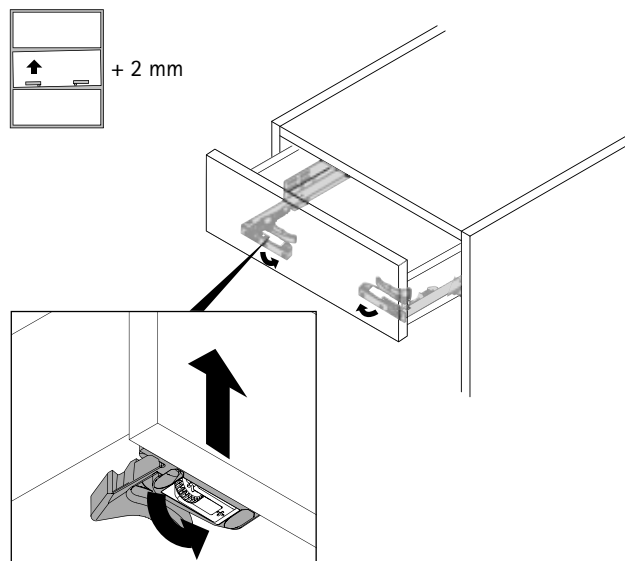
Advice

- ▶ Dimensions in millimeters (inch approximations as noted). Subject to technical modifications without notice.

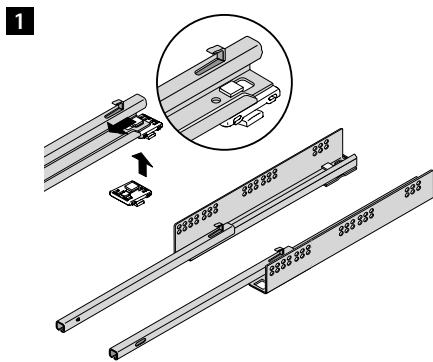
Drawer slides for wooden drawers

- ▶ Quadro
- ▶ Technical information

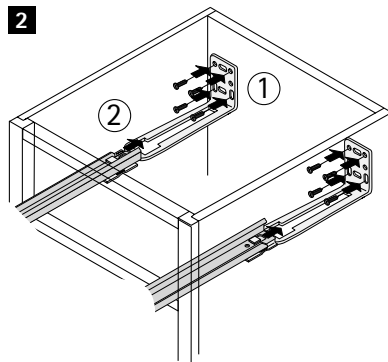
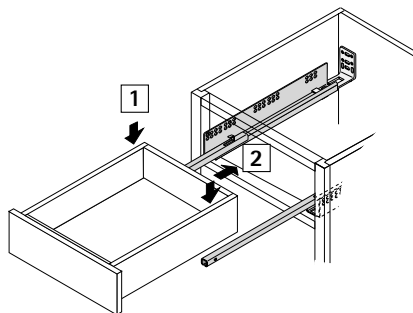
Quadro V6 / Quadro V6+ full extension runner: adjustment of the drawer front panel



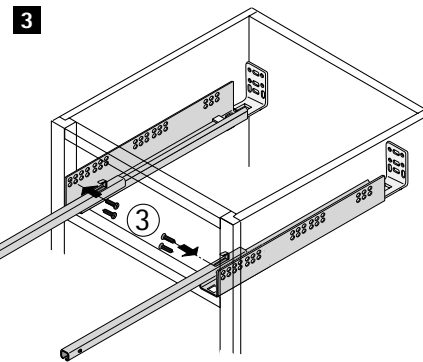
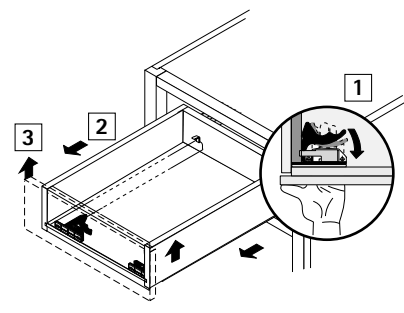
Assembly / Disassembly



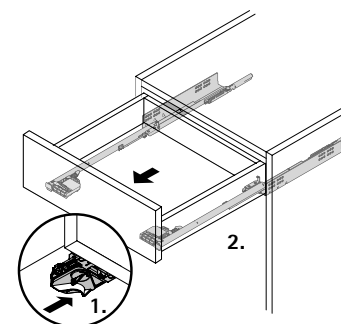
Drawer installation



Disassembly drawer Quadro V6 / Quadro V6+



Disassembly drawer Quadro 4D V6



Advice

- ▶ Dimensions in millimeters (inch approximations as noted). Subject to technical modifications without notice.

Drawer slides for wooden drawers

- ▶ **Technical Information**
- ▶ **Legal Notice**

Application

Hettich slides are suitable for use in living room and kitchen cabinets both in the home and business environment (face frame and frameless construction).

Load capacity and over-extension guard

The load capacity ANSI/BHMA 156.9, grade 1 stated in the catalogue is understood to mean the weight of the drawer itself including contents.

All Hettich slides feature guards to prevent the drawer from rolling out and being removed unintentionally and meet the requirements of the impact test in a test frame to ANSI/BHMA 156.9, grade 1.

Fitted in the proper manner, the slides featured in this catalogue are suitable for cabinet demands as described by K.C.M.A.

Corrosion test

Hettich slide systems satisfy the requirements on corrosion defined in DIN EN 15338, 72-hour condensation-water test to DIN EN 6270.

Material specification

Zinc-plated steel slide with permanently lubricated synthetic ball bearing races, hardened steel balls; spring loaded self-closing mechanism/non-fluid damping mechanism; zinc-plated steel or synthetic rear bracket; synthetic front fixing clip.

General technical conditions

The fitting instructions, screw-fixing points and loading information specified in this catalogue assume proper attachment in a cabinet material providing a screw pull-out resistance of > 1,000 N in accordance with DIN EN 320.

Hettich accepts no responsibility for the use of materials or fastening methods other than those stated. If other materials or methods of attachment are used, the cabinet manufacturer is required to verify the system's load-bearing capacity.

General terms of sale and delivery:

All products and services will be provided exclusively on the basis of our General Terms of Sale and Delivery published on our website at www.hettich-agb.com.

Legal Notice

© Hettich Marketing- und Vertriebs GmbH & Co. KG
32278 Kirchlengern · Germany
April 2019

We reserve all rights to this catalogue under copyright law. It shall not be permissible to duplicate this catalogue in any form either in whole or in part without our written consent. Subject to technical alterations. Errors and omissions excepted. Subject to colour variations.



www.hettich.com

Order no.: 9 268 356
1903-039-QUADRO-0419-HUS/en

Hettich America, L.P.
4295 Hamilton Mill Road
Suite 400
Buford, GA 30518
Phone: 1-800-438-8424
Fax: 1-800-627-5152
info@hettichamerica.net

Technik für Möbel

