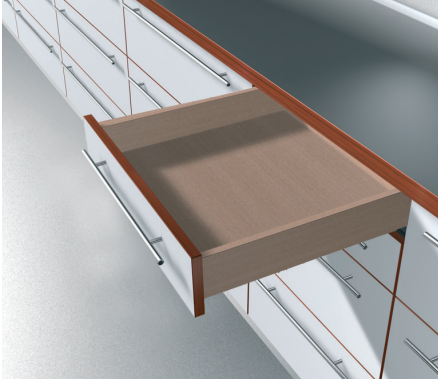


# TANDEM edge BLUMOTION™



# TANDEM edge BLUMOTION 554H

## Application

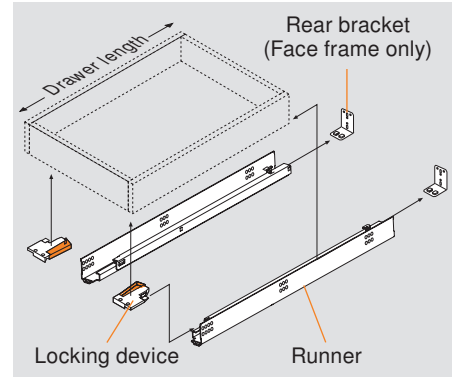


## Description

- 7/8 extension concealed runners
- Face frame or frameless cabinets
- BLUMOTION soft closing
- TANDEM smooth running action
- Available in 9" to 21" lengths
- 13 (1/2") to 16 (5/8") drawer thickness
- Locking devices enable easy drawer insertion and removal
- Dynamic load capacity 55 lb\*
- Static load capacity 75 lb\*

\* Per ANSI/BHMA 156.9 grade 1 standards on a 21" length drawer box

## Basic components



## Components

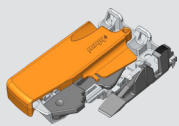
### Runner set

One set required per drawer



| For overall cabinet depth     | Drawer length | TANDEM edge BLUMOTION |
|-------------------------------|---------------|-----------------------|
| 610 (24")                     | 533 (21")     | 554H5330B             |
| 533 (21")                     | 457 (18")     | 554H4570B             |
| 457 (18")                     | 381 (15")     | 554H3810B             |
| 381 (15")                     | 305 (12")     | 554H3050B             |
| 305 (12")                     | 229 (9")      | 554H2290B             |
| Wood screw for installation   |               | 707N                  |
| System screw for installation |               | 661.1300.HG           |

### Standard locking device



- One right and one left required per drawer
- Minimum inside drawer width 121 (4-3/4")
- Height adjustment +3 (1/8")

Part no.

|                      |               |
|----------------------|---------------|
| Right locking device | T51.1700.04 R |
| Left locking device  | T51.1700.04 L |
| Installation screw   | 612TH         |

### Screw-on bracket for frame cabinets



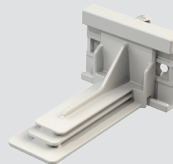
For use when installing TANDEM runners in face frame cabinets. Not necessary for frameless cabinet installation.

- Two required per drawer
- Depth and lateral self-alignment
- Zinc-coated steel
- Non-handed bracket

Part no.

|                    |             |
|--------------------|-------------|
| Screw-on bracket   | 295.3750.02 |
| Installation screw | 612TH       |

### Plug-in socket for frame cabinets



For use when installing TANDEM runners in face frame cabinets. Not necessary for frameless cabinet installation.

- Two required per drawer
- Lateral self-alignment
- Non-handed, two-piece design

Part no.

|                    |             |
|--------------------|-------------|
| Plug-in socket     | 295.6510.21 |
| Installation screw | 606P        |

## Drawer and Cabinet Specifications

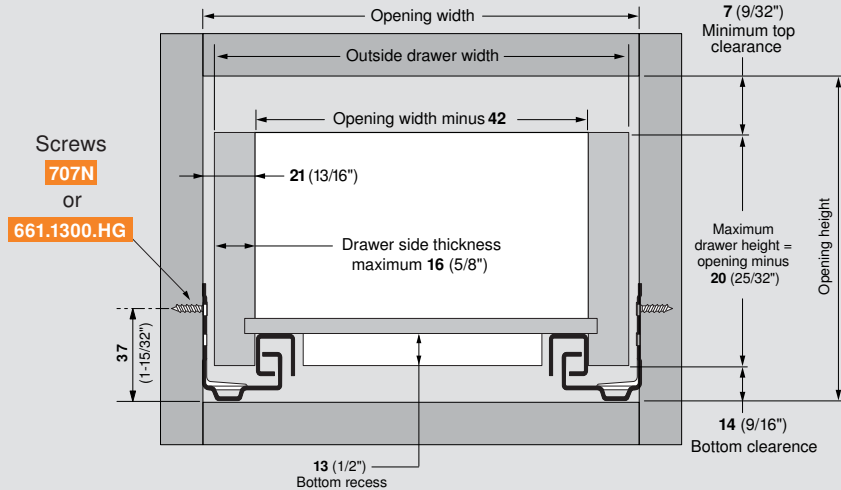
|                          |           |                                  |         |
|--------------------------|-----------|----------------------------------|---------|
| Extension                | 7/8       | Lengths available                | 9 - 21" |
| Maximum drawer thickness | 16 (5/8") | Static load capacity (ANSI/BHMA) | 75 lb   |

## TANDEM edge BLUMOTION



### Drawer box specifications

#### Front view



**NOTE:** Drawer side material thickness may vary. Accurate measurement of drawer side material thickness should be used when calculating outside drawer width using the table below. Inside drawer width **must** equal opening width minus 42 (1-21/32") for TANDEM to align and function optimally.

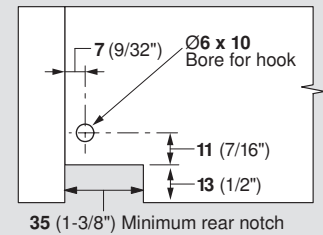
#### Calculating outside drawer width

|                                  |             |             |            |           |             |
|----------------------------------|-------------|-------------|------------|-----------|-------------|
| For drawer side thickness        | 16 (5/8")   | 15 (19/32") | 14 (9/16") | 13 (1/2") | 12 (15/32") |
| Deduct from inside cabinet width | 10 (13/32") | 12 (15/32") | 14 (9/16") | 16 (5/8") | 18 (23/32") |

**Example:** For 21" inside cabinet width and a 5/8" thick drawer, 21" minus 3/8" = 20-5/8" drawer width

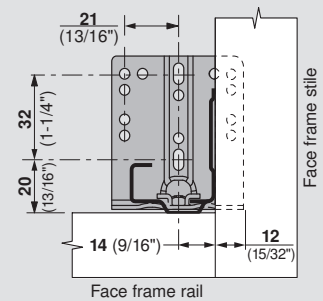
### Drawer back preparation

#### Rear view



### Rear mounting bracket

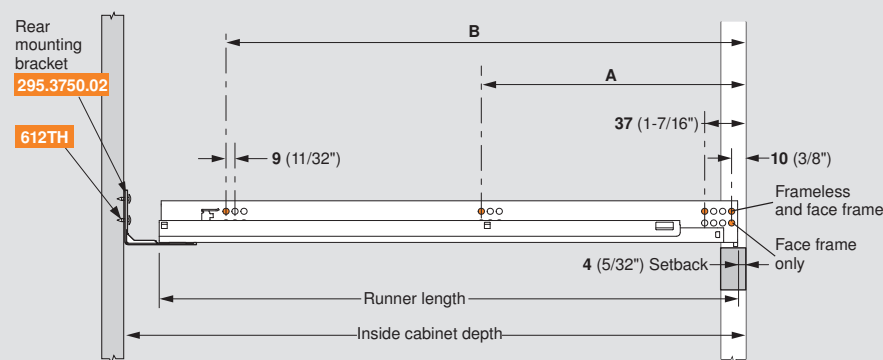
#### Front view



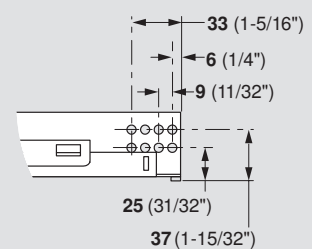
**NOTE:** For frame applications, use a minimum of three screws per bracket

### Runner mounting specifications

#### Side view



### Runner close-up



**NOTE:** The orange dots indicate fixing screw locations required to meet specified load ratings

| TANDEM edge BLUMOTION | Drawer length | Inside cabinet depth with 295.3750.02 bracket |                | Runner length   | Screw locations for frameless cabinets |                 |
|-----------------------|---------------|---|----------------|-----------------|--|-----------------|
|                       |               | Maximum                                       | Minimum        |                 | A                                      | B               |
| 554H5330B             | 533 (21")     | 604 (23-3/4")                                 | 589 (23-3/16") | 580 (22-27/32") | 261 (10-9/32")                         | 517 (20-11/32") |
| 554H4570B             | 457 (18")     | 527 (20-3/4")                                 | 513 (20-3/16") | 504 (19-27/32") | 261 (10-9/32")                         | 453 (17-27/32") |
| 554H3810B             | 381 (15")     | 451 (17-3/4")                                 | 437 (17-7/32") | 427 (16-13/16") | 165 (6-1/2")                           | 357 (14-1/16")  |
| 554H3050B             | 305 (12")     | 375 (14-3/4")                                 | 361 (14-7/32") | 351 (13-13/16") | 165 (6-1/2")                           | 261 (10-9/32")  |
| 554H2290B             | 229 (9")      | 299 (11-3/4")                                 | 285 (11-7/32") | 274 (10-25/32") | 133 (5-1/4")                           | 229 (9")        |