



WÜRTH

WÜRTH LOUIS AND COMPANY

PAINTLINE™ TOOLS FOR FINISHING & TRANSPORT

Save Time • Space • Effort



THE
PaintLine™

All prices include free freight!

Pricing Effective 3/28/24. Subject to change without notice.

Table of Contents

- ProDryingRack TT™ 3
- ProDryingRack™ 4
- ProDryingRack EX™ Series..... 5
- ProDryingRack Transport™ 6
- ProCart™ 7
- ProDryingRack SD™ 8-9
- Portable Jobsite Spray Booth™ Series..... 10-12
- Interior Door Spray & Dry Series 13
- SprayTwirly™ 14

**SAVE TIME, SPACE,
EFFORT AND BOOST
PRODUCTION!**

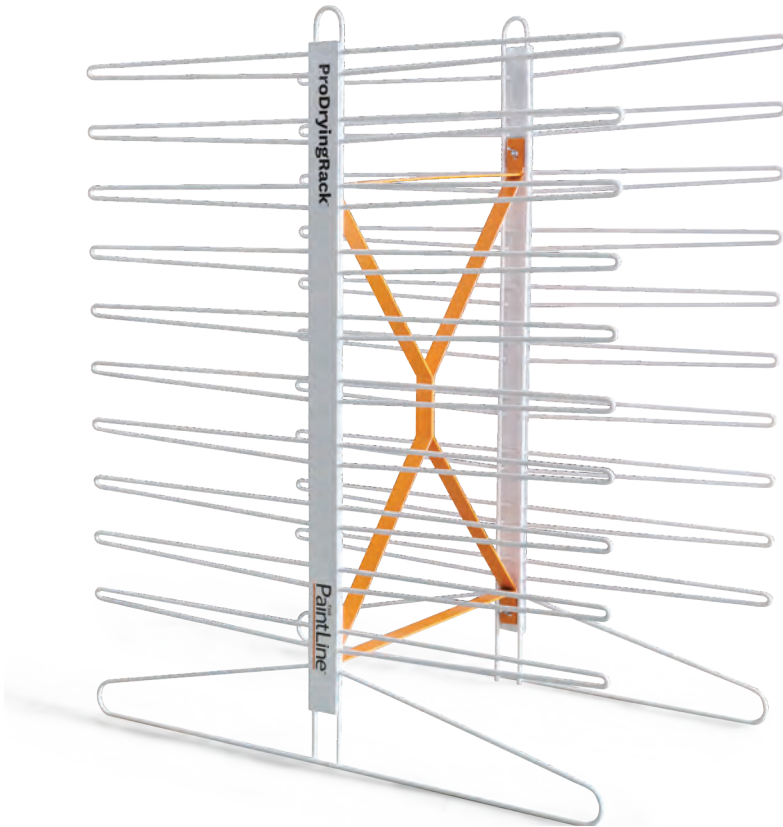
Whether the job is big or small, a reliable drying rack and spray stand is an integral part of any craftsman’s tool kit. Perfect for professional painters, cabinet makers, millwork shops, renovators, and woodworking enthusiasts.



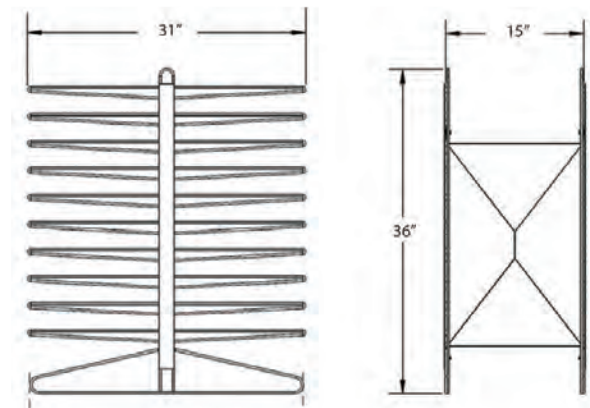
PLUS EVEN MORE! CHECK OUT ALL THE OPTIONS ON THE FOLLOWING PAGES.....

ProDryingRack TT™

20-shelf tabletop drying rack for cabinet doors or other parts. String two together for extra long parts such as molding or baseboard. Stores flat and features "brain-optional" assembly with just 4 wing nuts.



- Conveniently hold up to 20 cabinet doors (25 lbs. per level)
- Easy to assemble and break down for storage or transport
- Keep workshop clutter-free
- All steel powder coated construction
- 31.26" L x 15.64" W x 36" H

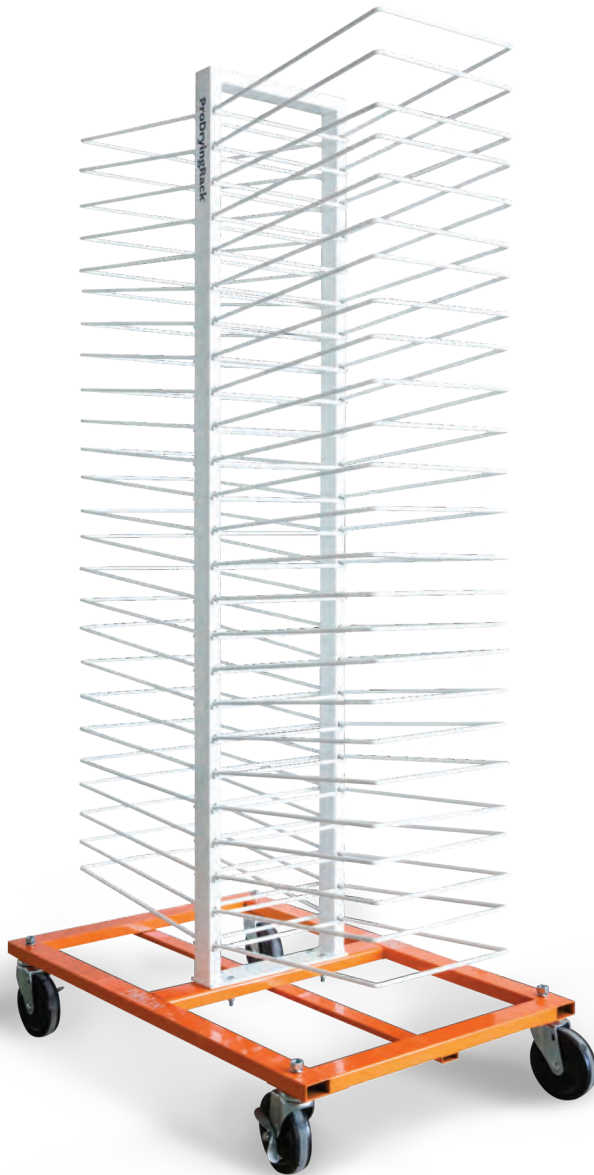


Item #	Description	Price
PNTPDRTT	ProDryingRack, 20-shelf	\$207

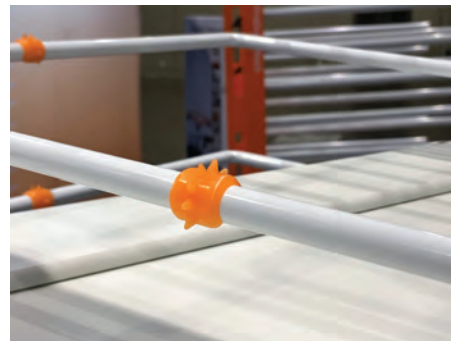


ProDryingRack™

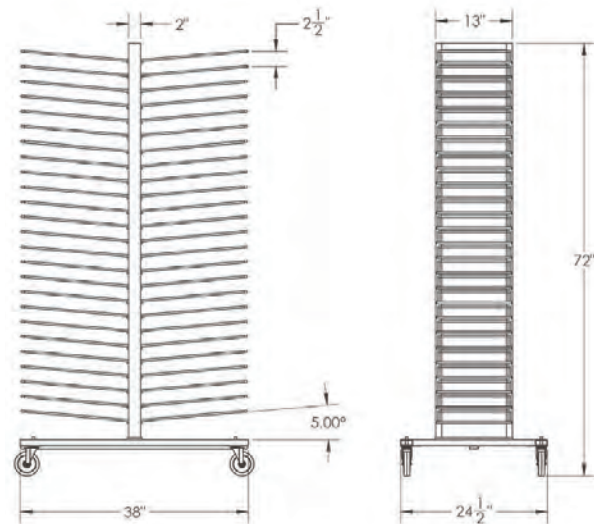
50-shelf mobile drying rack reduces 200 sq ft of drying space to 6-1/2 sq ft. Heavy-duty 5" locking casters with polyurethane wheels for rolling it while under load. Powder coated, steel construction ensures years of service. Add optional Shelf Spikes to minimize the surface area touching the painted/finished part.



- 50 shelf capacity to hold big jobs
- Shelves hold up to 25 lbs. each
- 2.5" spacing between each removeable shelf
- Assembles and disassembles easily with just 4 bolts



Optional Shelf Spikes to minimize the surface area touching the painted/finished part. Use 1 on each side and 1 on the end.



Item #	Description	Price
PNTPDRKD	ProDryingRack, 50-shelf	\$628
PNTPDRKD-SHLF	Replacement Shelves, Set of 17	\$93
PNTPDR-PU-WHEELS	Polyurethane Wheels, Set of 4*	\$36
PNTPDRKD-SHFSPIKES	Shelf Spikes, Set of 150	\$21

* Wheels only, does not include casters

ProDryingRack EX™ and ProDryingRack EX Plus Series™

High-quality, all-metal build, including fully gusseted supports, reinforced bottom plate and powder coated finish.

PNTPDREX - 2 Tower

Easily stretches from 20" to 60" in width via clamp levers. Fifteen levels that hold up to 60 lbs. each.

PNTPDREX - 3 Tower

Three tower rack with anti-torque stabilizers and shelves, with 60" - 120" of horizontal rack space on each level and 1,350 lbs. weight capacity.

PNTPDREX - 4 Tower

Four tower rack with anti-torque stabilizers and shelves, with 120" - 180" of horizontal rack space on each level and 1,800 lbs. weight capacity.



PAPDREX3

Common to All:

- Height: 66-1/2"
- Overall Depth: 34-1/2"
- Shelf Depth: 30"
- Tube Diameter: 1"
- Spacing Between Tubes: 3"
- Casters: 5" (2 Locking & 2 Non-Locking with polyurethane wheels)

Round 1" diameter removable 30" tubes lock into place with just a turn (no tools needed)

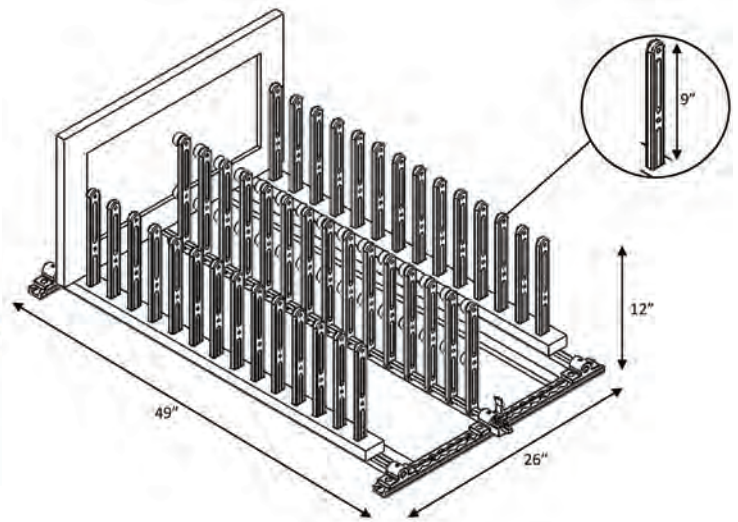
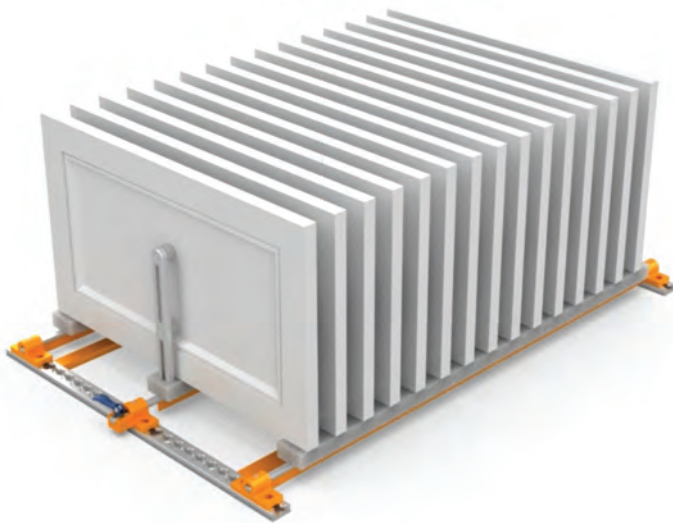
Item #	Description	Price
PNTPDREX	ProDryingRack EX, 2 Tower	\$840
PNTPDREX3	ProDryingRack EX, 3 Tower	\$1,452
PNTPDREX4	ProDryingRack EX, 4 Tower	\$2,045
PNTPDR-PU-WHEELS	Polyurethane Wheels, Set of 4*	\$36

* Wheels only, does not include casters

ProDryingRack Transport™

The ProDryingRack Transport is a durable and easy-to-use system designed to safely and conveniently transport finished cabinet doors from your workshop to the job site. Its sturdy frame with foldable arms securely hold the doors in place. The arms are adjustable to accommodate doors of various sizes and can be easily locked into place.

- Fit up to 20 cabinet doors in a range of sizes
- Only expanded polyethylene (EPE) foam makes contact with the doors to prevent marks and damage during transit
- Works with standard L-Track cargo tie down systems
- Mount to vehicle floor or side wall
- Quick release clamp secures doors for transit
- Optional handtruck (sold separately) available for even easier transport can be used either flat or angled



PNTPDRTTR folds flat for storage!

Item #	Description	Price
PNTPDRTTR	ProDryingRack Transport	\$515
PNTPDRTTR-HT	Optional Handtruck	\$238

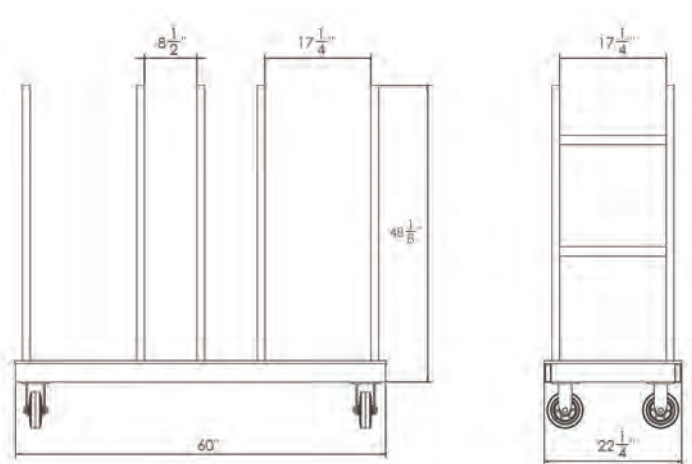


ProCart™

Designed to handle multiple parts as you move through the shop or production with a powder coated steel base, MDF decking and heavy duty 6" casters for maneuverability.



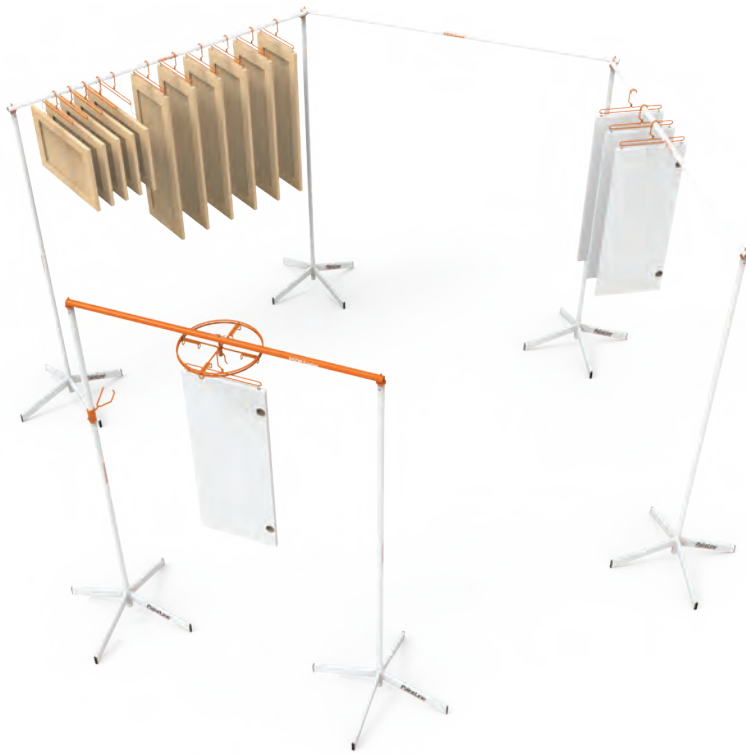
- Powder coated steel base with MDF decking and heavy duty 6" casters for maneuverability
- Dividers can be installed along the width or length of the cart to provide maximum flexibility
- Remove all the dividers and it becomes a lumber cart
- Narrow 22" width works well in congested aisles
- Weight capacity of 2,000 lbs
- Sold in bundles of 2 carts or 4 carts



Item #	Description	Price
PNTPROCART-2	ProCart™ - 2 Pack	\$1,025
PNTPROCART-4	ProCart™ - 4 Pack	\$1,871

ProDryingRack SD™

The PSDR Series is an integrated system designed to paint and dry cabinet doors in a vertical orientation with the least amount of effort and space. Parts hang for spraying of all sides in one step!



- 18' of drying line allows tight spacing of 50 doors
- Parts hang for spraying of all sides in one step, 50 standard hangers and 100 cup hooks included
- Use optional hinge hooks for unmarred surface results
- Included spinner assembly allows optional wooden dowels, designed for complete control of the hanging part
- Metal hangers eliminate the annoying and costly failure of wooden clothes hangers
- Foolproof, tool-free assembly and tear down in less than 10 minutes
- Everything packs down into 3 ballistic nylon bags for convenient storage and easy transport
- Powder coated steel bases, vertical and horizontal poles

**Accessories and Add-ons
Available for this
modular unit!**

See page 9

Includes:

- 9 six-foot poles, 1 spray tube, 6 bases, joints and hardware to build the spraying and drying stands
- 50 Standard Hangers (12" long)
- 100 Cup Hooks
- 1 Spinner+ (wooden dowels not included)
- 1 Spray Holder
- 3 Carry Bags (holds the poles, bases, and hangers)

Item #	Description	Price
PNTPSDR	ProDryingRack SD	\$621

ProDryingRack SD™ Accessories

PNTPSDR-EFC	PNTPSDR-HHOOK	PNTPSDR-H	PNTPSDR-W
PNTPSDR-SP	PNTPSDR-A	PNTPSDR-S	PNTPSDR-E
PNTPSDR-SPT	PNTPSDR-U	PNTPSDR-C	PNTPSDR-B-5 (33") or PNTPSDR-B (66")

Item #	Description	Application	Price
PNTPSDR-EFC	EFC Hinge Hooks, Set of 100	For hanging doors via euro hinge cup hole	\$159
PNTPSDR-HHOOK	Hinge Hooks, Set of 100	Reduces shadowing from spray pattern	\$148
PNTPSDR-H	Hangers, Standard, Set of 50	Heavy-duty 12" metal hangers	\$149
PNTPSDR-W	Hangers, Wave, Set of 20	Accommodates up to 36" c/c hinge holes	\$183
PNTPSDR-SP	Spinner +	Allows you to rotate spinner by inserting 0.5" dia dowels*	\$66
PNTPSDR-A	Bases, Set of 4 with Screws	For extension of drying line	\$102
PNTPSDR-S	2nd Tier Connectors, Set 2 Pair	Used to turn one level of drying space into two	\$40
PNTPSDR-E	Double Joint Connector, Set 4	Used to connect horizontal poles	\$24
PNTPSDR-SPT	Support Brackets, Set 4	Position in center of a drying pole to add support	\$31
PNTPSDR-U	12" Height Extender, Set 2	Used to add 12" of height to the PSDR rack	\$33
PNTPSDR-C	Extra Pole, 48", Set 1	For adding on to PSDR Spraying Line	\$74
PNTPSDR-B-5	Extra Poles, 33", Set 4	For adding on to PSDR Drying Line	\$48
PNTPSDR-B	Extra Poles, 66", Set 4	For adding on to PSDR Drying Line	\$98
Not Pictured			
PNTPSDR-R	Bag, Standard Hangers	Carries up to 50 Standard hangers	\$33
PNTPSDR-T	Bag, Wave Hangers	Carries up to 20 Wave hangers	\$33
PNTPSDR-P	Bag, Bases	Carries up to 6 PSDR bases	\$33
PNTPSDR-Q	Bag, Poles	Carries up to 9 PSDR poles	\$33

* Dowels not included

Portable Jobsite Spray Booth™ 80" H x 80" W x 80" D

The Portable Jobsite Spray Booth™ has a precision-manufactured, fully collapsible, aluminum frame and uses disposable plastic liners to protect the jobsite while spraying non-flammable, non-combustible finishes.

- Disposable 5-sided clear plastic liner provides overspray protection to the ceiling, floor and 3 sides
- Clear plastic liners light in ambient or supplemental light
- Liners make up 3 sides, plus top and bottom. Mfr recommends construction paper, like XBoard or similar be applied to the floor for absorbing overspray and providing a stable non-slip work surface. The plastic under this paper provides extra protection
- High quality, durable aluminum extension frame and supports
- Available ventilation accessories (sold separately)
- Designed for indoor use on jobsites or in workshops
- No-tool, one-person assembly in about 15 minutes
- Quickly packs into 1 carry / storage bag (approx 45 lbs.)

NOTE: For use with Non-Flammable, Non-Combustible paints and solvents only.

PNTPJSB



PNTPJSB-PRO-BUNDLE



PNTPJSB-BLWR-BUNDL



Item #	Includes	Price
PNTPJSB	Portable Jobsite Spray Booth™ frame and support poles, 3 disposable clear plastic liners, heavy duty carrying bag	\$838
PNTPJSB-PRO-BUNDLE	All items in PNTPJSB plus 12 additional disposable liners (total of 15), 1 Exhaust Vent Attachment, 1 box of 50 Air Filters, 1 set of 15' Ducting, 1 Duct Reducer	\$1,309
PNTPJSB-BLWR-BUNDL	All items in PNTPJSB-PRO-BUNDLE plus 1 Allegro Centrifugal Blower	\$2,484

For Additional Accessories, See Page 12

Portable Jobsite Spray Booth XL™ 94.5" H x 80" W x 80" D

Same features as Portable Jobsite Spray Booth™ but includes the PJSB Extension Set which raises the Portable Jobsite Spray Booth by 14.5", increasing the overall height from 80" to 94.5". Paired with the taller XL Disposable Liners, this makes the PJSB tall enough to use the Interior Door Spray & Dry Series (PNTPSDRID, see page 13) for spraying interior doors and other tall parts.

- Use the extension poles at the bottom of the frame adding 14.5" in height
- Use the clips to fasten any extra liner material to the aluminum frame for extra strength and security

NOTE: For use with Non-Flammable, Non-Combustible paints and solvents only.

PNTPJSB-XL



PNTPJSB-XL-PRO-BND



PNTPJSB-XL-BLWRBND



Item #	Includes	Price
PNTPJSB-XL	Portable Jobsite Spray Booth XL™ frame and support poles, 3 XL disposable clear plastic liners, orange plastic clips, heavy duty carrying bag	\$992
PNTPJSB-XL-PRO-BND	All items in PNTPJSB-XL plus 12 additional XL disposable liners (total of 15), 1 Exhaust Vent Attachment, 1 box of 50 Air Filters, 1 set of 15' Ducting, 1 Duct Reducer	\$1,593
PNTPJSB-XL-BLWRBND	All items in PNTPJSB-XL-PRO-BND plus 1 Allegro Centrifugal Blower	\$2,804

For Additional Accessories, See Page 12

Portable Jobsite Spray Booth and Portable Jobsite Spray Booth XL™ Accessories

PNTPJSB-LINER (3 pk) or PNTPJSB-MSTR (24 pk)	PNTPJSB-XL-LINER (3 pk) or PNTPJSB-XL-LINER-M (24 pk)	PNTPJSB-EXT
PNTPJSB-BLOWER	PNTPJSB-DUCT	PNTPJSB-REDUCER
PNTPJSB-VENT	PNTPJSB-FLTR	

Item #	Description	Use With		Price
		PNTPJSB	PNTPJSB-XL	
PNTPJSB-LINER	PNTPJSB Liners, 80" x 80" x 80", 2mil LDPE plastic, Pack 3	✓	-	\$78
PNTPJSB-MSTR	PNTPJSB Liners, 80" x 80" x 80", 2mil LDPE plastic, Pack 24	✓	-	\$458
PNTPJSB-XL-LINER	PNTPJSB-XL Liners, 94.5" x 80" x 80", 2mil LDPE plastic, Pack 3	-	✓	\$99
PNTPJSB-XL-LINER-M	PNTPJSB-XL Liners, 94.5" x 80" x 80", 2mil LDPE plastic, Pack 24	-	✓	\$561
PNTPJSB-EXT	PNTPJSB Extension, add to convert standard PAPJSB 80" height to PNTPJSB-XL 94.5" height. Also used with PNTPJSB-XL if replacement extension is needed	✓	✓	\$56
PNTPJSB-BLOWER	PNTPJSB Blower, 3/4 hp, (2) 8" ports	✓	✓	\$1,172
PNTPJSB-DUCT	PNTPJSB Ducting, 15' long x 8" diameter, can be chained together for desired length	✓	✓	\$83
PNTPJSB-REDUCER	PNTPJSB Duct Reducer, 3' long ducting section to reduce from 12" opening to 8" opening	✓	✓	\$50
PNTPJSB-VENT	PNTPJSB Exhaust Vent Attachment, 12" flange for attaching ventilation ducting	✓	✓	\$111
PNTPJSB-FLTR	PNTPJSB Air Filters 20" x 20" x 2.5", Pack 50	✓	✓	\$143

Interior Door Spray & Dry Series

Paint or refinish interior doors quickly and easily with the Interior Door Spray & Dry Series (PSDRID). Single operators are now able to paint multiple, full-size, interior doors in a confined space.



- Single operator
- Handles up to 20 doors with additional 10 door Add-On package for larger jobs
- Spray entire door from a stationary position
- Works with various widths and heights of doors*
- Works with hollow or solid core doors
- Door contact point is only 1/2" by 1-1/2" at the hinge pocket
- Portable for easy transport & storage with the included carry bag
- Eliminate the need to seal the entire room when spraying when coupled with the PortableJobsite Spray Booth XL™ (see page 11)
- Minimal assembly required

*The PSDRID is designed to work with most interior doors, both hollow core or solid, that are 28"-34" wide and approximately 80" maximum in height. This is not a hard limit, but exceeding could result in less than optimal performance.

PNTPSDRID Includes: Turntable and door support arm, 20 VClips with wood screws, 40 plastic door base supports with wood screws, Hand grips for moving wet doors, 1 overspray guard set, 2 carry bags (1 for the turntable, 1 for the door base supports).

PNTPSDRID-DS Includes: 20 Plastic Door Base Supports, 20 12 x 3" Wood Screws, 10 Aluminum Vclips, 20 #8 x 3/4 Wood Screws.

Item #	Description	Price
PNTPSDRID	Interior Door Spray & Dry System	\$948
PNTPSDRID-DS	PSDRID 10 Door Add-On Package	\$122
PNTPSDRID-OSG	PSDRID Replacement Overspray Guards, Set 10	\$73
PNTPSDRID-PB	PSDRID Replacement Plastic Door Base Supports, Set 20	\$95

SprayTwirly™

This rotating spray table is designed for painting cabinet doors and parts with precision and ease. With its 360-degree rotation, the SprayTwirly allows for complete control and accuracy when painting all sides of your cabinet doors and parts while standing in one spot. Retractable arms and adjustable magnetic spikes make it a versatile tool for painting a range of cabinet door sizes. Quickly and easily assemble it (no tools required), then pack it up to transport to your next job.



Item #	Description	Price
PNTSPTY	SprayTwirly™	\$209
PNTSPTY-SPK	SprayTwirly Spikes w/ Paint Pyramids, Set 3	\$29

Nitrile Gloves

- Powder Free
- Sold in full boxes as shown below
- Solvent resistant
- Textured for grip



Packing & Sold In: Full box quantities of 100 each.

Item #	Color	Size	Box Qty	Price per Box	
				1-9 Boxes	10+ Boxes
6 MIL THICKNESS					
WR0899470398	Black	M	100 Each	\$11.96	\$9.97
WR0899470399	Black	L	100 Each	\$11.96	\$9.97
WR0899470400	Black	XL	100 Each	\$11.96	\$9.97
8 MIL THICKNESS, RAISED DIAMOND TEXTURE					
WR0899970911	Orange	M	100 Each	\$18.48	\$17.19
WR0899970912	Orange	L	100 Each	\$18.48	\$17.19
WR0899970913	Orange	XL	100 Each	\$18.48	\$17.19
WR0899970914	Orange	2XL	100 Each	\$18.48	\$17.19

Stain Pads

- Fine terry stain pads with chemical resistant sponge inside
- Compatible with all stains; absorbent and washable

Packing & Sold In: Full pack or case quantities as shown below.



Item #	Size	Pack Qty	Price Each	Case Qty	Price Each
WR0899044120	4" x 4" x 1"	12 each	\$1.42	144 Each	\$1.34

Paint Strainers

- Disposable screen for filtering varnishes, paints, primers, chemicals and other liquids
- Color-coded system for simple visual identification of mesh size

Packing & Sold In: Full sleeve or case quantities as shown below.



Item #	Micron	Color	Sleeve Qty	Price Each	Case Qty	Price Each
WRSTRAIN-XFINE	Extra Fine, 125µ	Blue	125 EA	\$0.13	500 Each	\$0.11
WRSTRAIN-FINE	Fine, 190µ	Yellow	125 EA	\$0.13	500 Each	\$0.11
WRSTRAIN-MED	Medium, 260µ	Orange	125 EA	\$0.13	500 Each	\$0.11

Mixing Cups and Lids

- Disposable cups for mixing and storing paint materials and stains
- Cups are durable and will not deteriorate when using Acetone, Lacquer Thinner, Denature Alcohol, Catalysts, Hardeners and Reducers in them
- Each size cup features a red 10% mark which can aid the user in measuring added material such as catalysts, hardeners or other solvents
- Each cup also features a 20% red mark in case user need room to add reducers
- Integrated mixing scales for balancing Paint, Hardener and Thinner quantities (1:1, 2:1, 3:1, 4:1 and 5:1)
- Lids sold separately

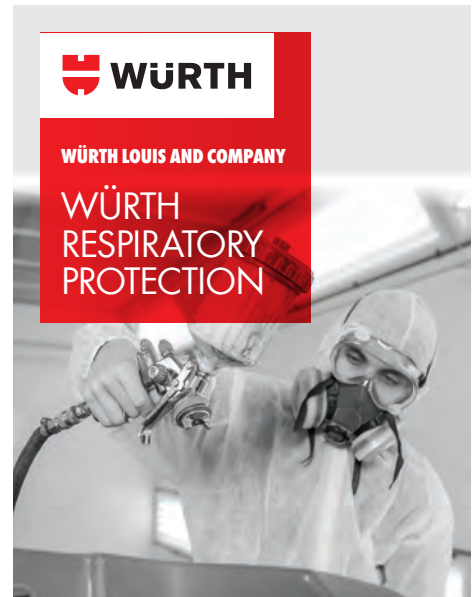
NOTE: Please use paint manufacture recommendations for ratios.



Item #	Size	Price Each	Sleeve Qty	Price Each	Case Qty	Price Each
MIXING CUPS ONLY						
WRMIXCUP-PT	Pint	\$0.49	25 Each	\$0.46	200 Each	\$0.43
WRMIXCUP-QT	Quart	\$0.61	25 Each	\$0.57	200 Each	\$0.51
WRMIXCUP-2.5QT	2.5 Quart	\$1.28	25 Each	\$1.21	200 Each	\$1.09
WRMIXCUP-5QT	5 Quart	\$2.29	20 Each	\$2.19	120 Each	\$2.04
MIXING CUP LIDS ONLY						
WRMIXCUPLID-PT	Pint	\$0.261	25 Each	\$0.223	500 Each	\$0.183
WRMIXCUPLID-QT	Quart	\$0.320	25 Each	\$0.289	400 Each	\$0.260
WRMIXCUPLID-2.5QT	2.5 Quart	\$0.522	25 Each	\$0.492	400 Each	\$0.442
WRMIXCUPLID-5QT	5 Quart	\$1.10	25 Each	\$1.02	300 Each	\$0.946

Have you seen our new Respiratory Protection Program yet?

- Cartridges & Filters are interchangeable with different respirator styles
- Available as kits or components
- Available in Thermoplastic Elastomer or Silicone for high comfort and easy cleaning
- Respirators include Reusable Foil Storage Bags to help assure best respirator life
- Wide range of replacement cartridges and filters



Contact your Sales Rep or Customer Service for a hard copy, or scan here for a pdf

Protection Made Easy!



WÜRTH LOUIS AND COMPANY

PAINTLINE™ TOOLS FOR FINISHING & TRANSPORT

Würth Louis and Company

895 Columbia Street
Brea, CA 92821
(714) 529-1771
(800) 422-4389
Fax: (800) 446-9452
www.wurthlac.com
Source code: LP1979

Other locations:

Anaheim, CA
Benton, AR
Boise, ID
Denver, CO
Grand Prairie, TX
Houston, TX

Idaho Falls, ID
Lacey, WA
Las Vegas, NV
Oklahoma City, OK
Phoenix, AZ
Portland, OR

Post Falls, ID
Salt Lake City, UT
San Antonio, TX
San Marcos, CA
St. George, UT
West Jordan, UT